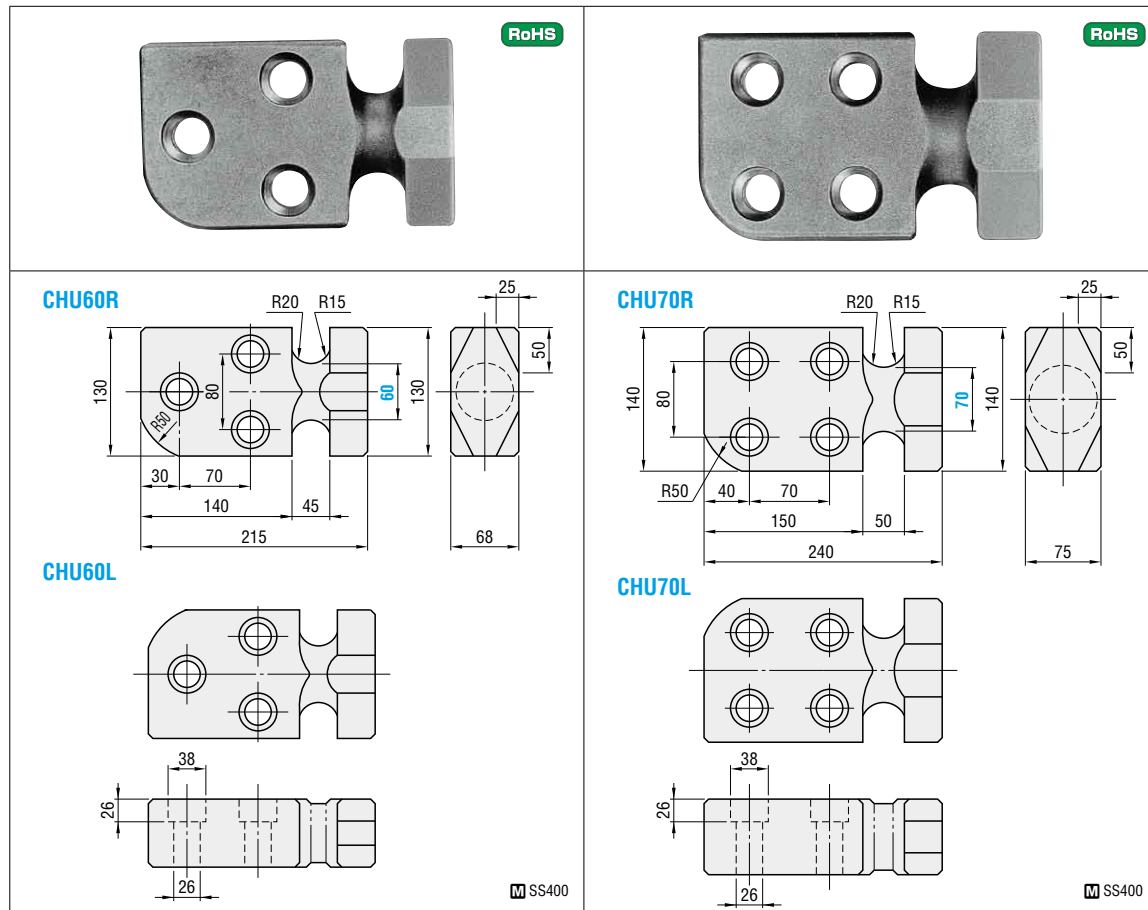


# LIFTING HOOKS, INSERT TYPE

# CAST-IN HOOKS AND T-SHAPED BOLTS



N/piece (kgf/piece) (For steel, safety factor 10)	Catalog No.	Base unit price 1 ~ 19 pieces
42170 {4300}	CHU	60R
47070 {4800}		60L
		70R
		70L

●Load (kgf)=Load N×0.101972

■CHU installation bolts (strength class 10.9)  
Use bolts of strength class 12.9 or 10.9 as defined in JIS B 1176 or JIS B 1180.

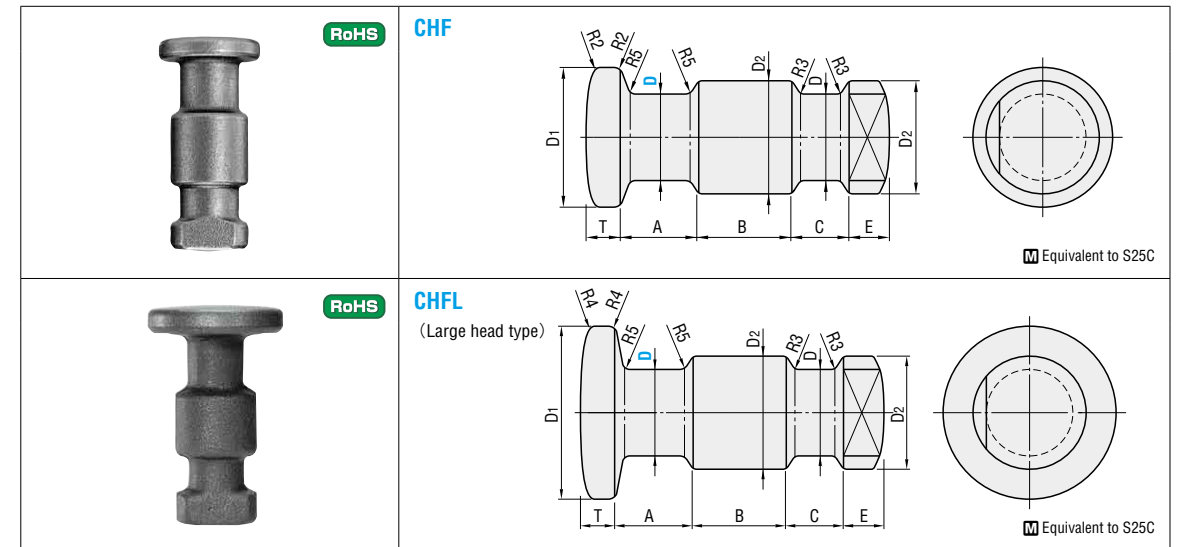
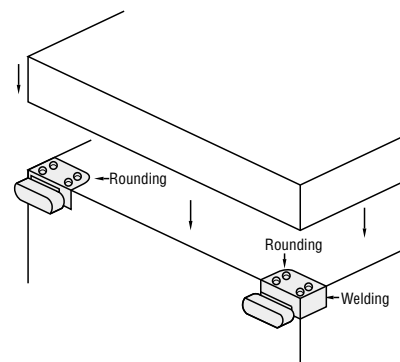
Ⓜ Detailed dimensions, other sizes, delivery, and prices P.809

Order **Catalog No.**  
CHU 60R

Days to Ship **Quotation**

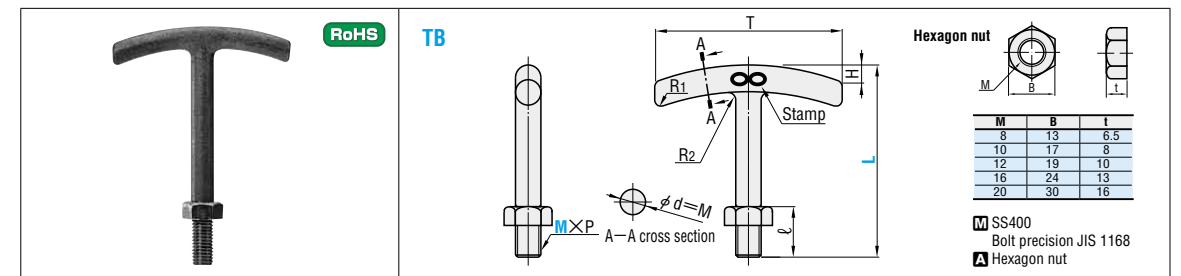
Price **Quotation**

Example



D	D1		D2	T		A	B	C	E	N/piece (kgf/piece)	Catalog No.			
	CHF	CHFL		Type	D						CHF	CHFL		
25	46	60	36	12	12.6	25	30	15	16.6	7940 { 810 }	CHF CHFL	25		
32	55	70	42	12.4	13.1	30	40	20	16.8	13140 {1340}		32		
36	60	80	46	17.6	18.5	35	45	25	17	16570 {1690}		36		
40	70	90	55	18.1	18.9	35	60	30	17.4	20500 {2090}		40		
50	90	120	70	23.9	25.2	35	70	40	18.1	32070 {3270}		50		
70	120	140	100	30.2	31.1	40	80	40	19.4	62860 {6410}		70		

●Load (kgf)=Load N×0.101972



M×P	H	R1	R2	T	ℓ	N/piece (kgf/piece)	Catalog No.			
							Type	M	L	Base unit price 1 ~ 19 pieces
8×1.25	8	2	3	80	22	686 { 70 }	TB	8	100	
10×1.5	8	3	5	80	28	981 {100}		10	110	
12×1.75	8	3	5	90	34	1471 {150}		12	125	Quotation
16×2.0	10	5	6	100	45	2942 {300}		16	135	
20×2.5	10	5	8	120	50	3923 {400}		20	160	

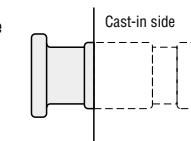
●Load (kgf)=Load N×0.101972

Order **Catalog No.** — L  
CHF 50  
TB 12 — 125

Days to Ship **Quotation**

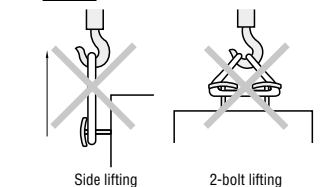
Price **Quotation**

Example



Caution

Incorrect examples Never attempt the types of lifting shown in the diagram. (TB)



### ■T-shaped bolts Installation

Screw the bolt into the plate lightly with your hand, then tighten the hex nut firmly so that the nut seat is in tight contact with the surface of the plate.

※Tightening the nut last allows you to adjust the direction of the T-bar as needed.