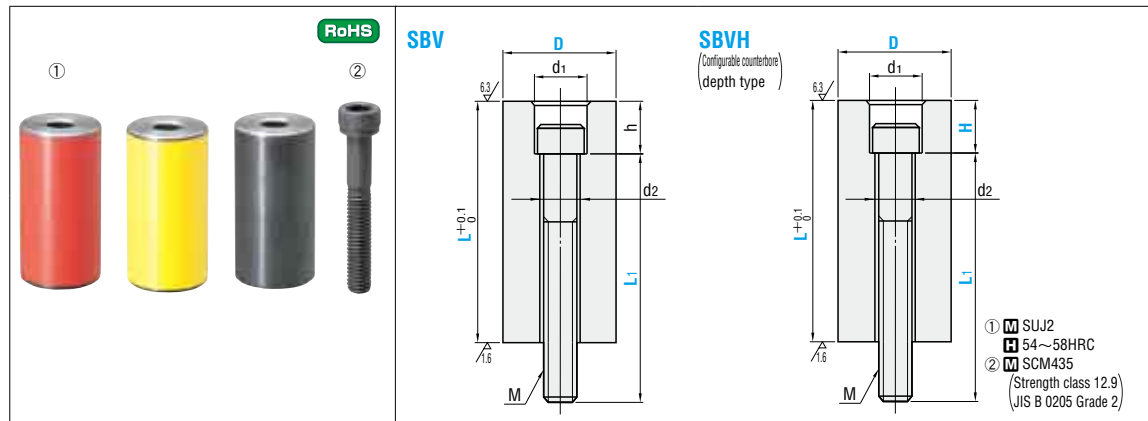


STROKE END BLOCKS

—HARDENED TYPE—



M×P	d1	d2	h	Catalog No.		Base unit price 1~9 pieces						
				Type	D	L 0.1mm increments	Color	L1 5mm increments	~L50.0	L50.1~70.0	L70.1~100.0	L100.1~
M 3×0.5	6	4	5	SBV	10	R (Red)	10.0 ~ 40.0	10 ~ 40	Quotation			
					12							
					14							
					16							
					18							
					20							
M 4×0.7	8	5	8	SBV	15.0 ~ 50.0	Y (Yellow)	15 ~ 85	15 ~ 100	Quotation			
					20							
					25							
M 5×0.8	9.5	6	10	SBV	20.0 ~ 80.0	N (Normal)	15 ~ 120	20 ~ 120	Quotation			
					25							
M 6×1.0	11	7	13	SBV	22.0 ~ 120.0	N (Normal)	15 ~ 120	20 ~ 120	Quotation			
					32							
M 8×1.25	14	9	15	SBV	22.0 ~ 120.0	N (Normal)	15 ~ 120	20 ~ 120	Quotation			
					38							
M10×1.5	17	11	18	SBV	25.0 ~ 120.0	N (Normal)	15 ~ 120	25 ~ 150	Quotation			
					50							
M12×1.75	20	13	21	SBV	30.0 ~ 150.0	N (Normal)	15 ~ 120	25 ~ 150	Quotation			
					60							

① N (Normal) → ② Black oxide (Fe₃O₄)
 ⚠ About products with D size of 20 or more of SBV/SBVH/SBVM, We offer products larger 0.3 mm than the notation.

M×P	d1	d2	Catalog No.		Base unit price 1~9 pieces							
			Type	D	L 0.1mm increments	H 1mm increments	Color	L1 5mm increments	~L50.0	L50.1~70.0	L70.1~	
M 6×1.0	11	7	SBVH	20	15.0 ~ 100.0	10 ~ 40	R (Red)	15 ~ 85	Quotation			
				25								
M 8×1.25	14	9	SBVH	32	15.0 ~ 120.0	10 ~ 40	Y (Yellow)	15 ~ 120	Quotation			
				38								
M10×1.5	17	11	SBVH	50	20.0 ~ 120.0	15 ~ 40	N (Normal)	20 ~ 120	Quotation			
				50								

① N (Normal) → ② Black oxide (Fe₃O₄)
 ⚠ L-H ≥ 5 (Full length-Counterbore depth) must be 5 mm or more.

Order

Catalog No. — ① — ② —

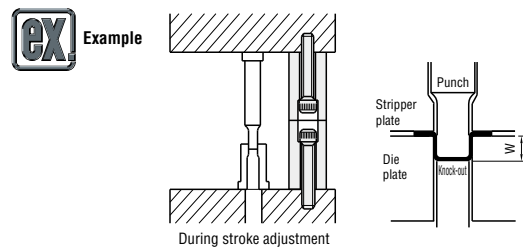
Type D L H Color L1

SBV 38 — 100.0 — — Y — 100

SBVH 38 — 80.0 — 40 — Y — 60

Days to Ship Quotation

Price Quotation



● Because these are hardened products, they are ideal for precision dies which gently contact the stroke end block in order to maintain the correct bending or drawing depth (W).

Alteration

Catalog No. — ① — ② — (LKC-LKP)

Type D L H Color L1

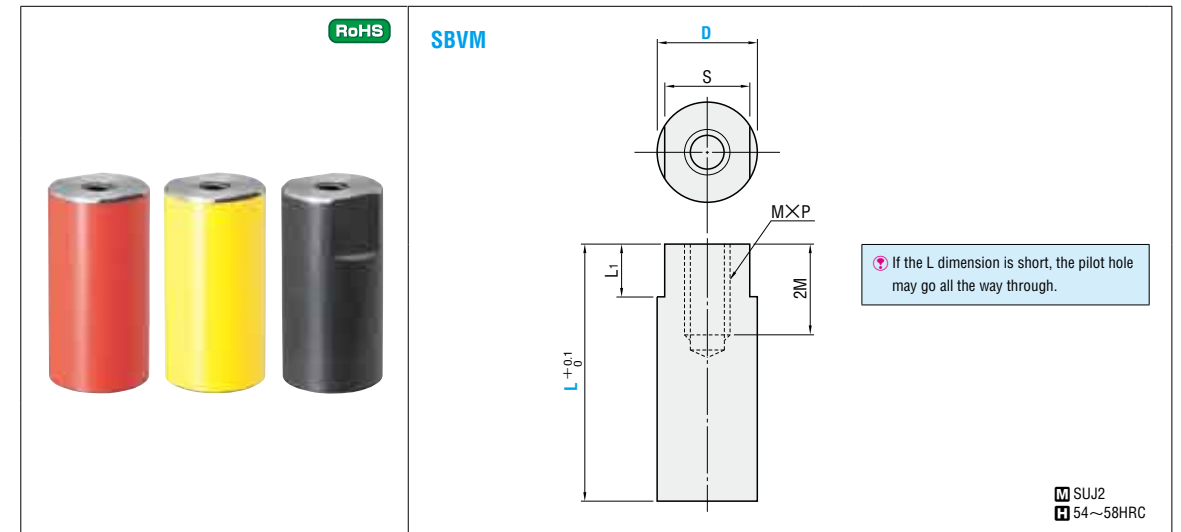
SBV 38 — 100.00 — — Y — 100 — LKC

SBVH 38 — 80.00 — 40 — Y — 60 — LKP

Alteration	Code	Spec.	1Code
	LKC	L dimension tolerance change L ₀ ^{+0.1} ⇔ ±0.01 ⚠ When LKC is used, L dimension can be selected in 0.01mm increments. ⚠ Resulting in variation of the finished L dimension of 0.005 or less.	Quotation
	LKP	L dimension tolerance change L ₀ ^{+0.1} ⇔ +0.01 ⚠ When LKP is used, L dimension can be selected in 0.01mm increments. ⚠ Resulting in variation of the finished L dimension of 0.005 or less.	Quotation

STROKE END BLOCKS

—HARDENED AND TAPPED TYPE—



M×P	S	L1	Catalog No.		L		Color	Base unit price 1~9 pieces		
			Type	D	0.1mm increments	~L50.0		L50.1~70.0	L70.1~	
M 6×1.0	17	12	SBVM	20	20.0 ~ 80.0	R (Red)	Quotation			
				25						
M 8×1.25	22	16	SBVM	32	22.0 ~ 100.0	Y (Yellow)	Quotation			
				38						
M10×1.5	32	16	SBVM	38	25.0 ~ 100.0	N (Normal)	Quotation			
				38						

① N (Normal) → ② Black oxide (Fe₃O₄)
 ⚠ Tighten to a depth of 1.5 times the bolt diameter or more when using.

Order

Catalog No. — L — Color

SBVM 25 — 50.0 — Y

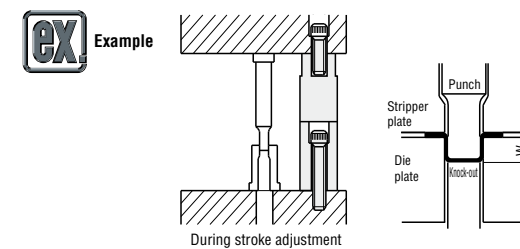
Price Quotation

Days to Ship Quotation

Alterations

Catalog No. — L — Color — (LKC-LKP)

SBVM 32 — 60.00 — R — LKC



● Because these are hardened products, they are ideal for precision dies which gently contact the stroke end block in order to maintain the correct bending or drawing depth (W).

Alteration	Code	Spec.	1Code
	LKC	L dimension tolerance change L ₀ ^{+0.1} ⇔ ±0.01 ⚠ When LKC is used, L dimension can be selected in 0.01mm increments. ⚠ Resulting in variation of the finished L dimension of 0.005 or less.	Quotation
	LKP	L dimension tolerance change L ₀ ^{+0.1} ⇔ +0.01 ⚠ When LKP is used, L dimension can be selected in 0.01mm increments. ⚠ Resulting in variation of the finished L dimension of 0.005 or less.	Quotation