

# BALL-LOCK BUTTON DIES

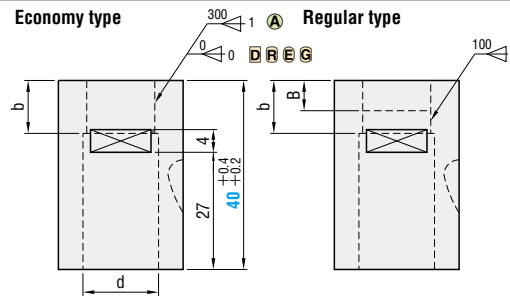
RoHS



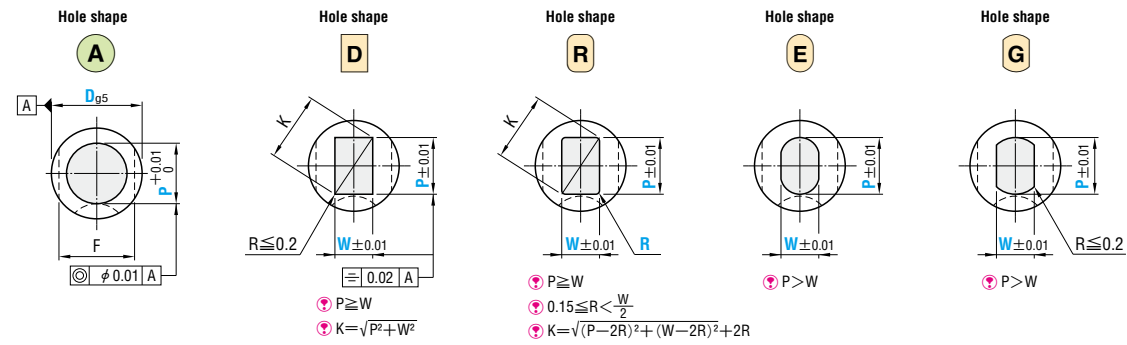
Application	Catalog No.	
	Type	Hole shape
Equivalent to SKD11 60 ~ 63HRC	Economy type	ELD
	Regular type	LD

The wrench flat is used to check that the punch is correctly locked in place. P.796

The hole shape can be selected from Hole shape A ~ G in the figure below.



Use light-load type retainers. These dies cannot be used with heavy-load type retainers.



Catalog No.	Type	D	L	0.01mm increments				B	b	d	F	Base unit price 1 ~ 9 pieces				
				A	D R E G	R	ELDA					ELDD·ELDR ELDE·ELDG	LDA	LDD·LDR LDE·LDG		
	Economy type	13	40	3.00 ~ 5.00	5.00	2.50	0.15 ≤ R < $\frac{W}{2}$ (R only)	6	10	5.4	10					
	Regular type	16		3.50 ~ 8.00	8.00	3.00		6	10	8.4	13					
A	ELDA	20		7.00 ~ 11.00	11.00	3.00		8	12	11.4	17					
D	ELDD	25		10.00 ~ 16.00	16.00	4.00		10	15	16.6	22					
R	ELDR	32		15.00 ~ 20.00	20.00	5.00				20.6	29					
G	ELDG	38		19.00 ~ 26.00	26.00	5.00				26.6	35					

Quotation

Order Catalog No. L P W R (R only)  
ELDR 32 - 40 - P16.00 - W10.00 - R4.90

Price Quotation

Days to Ship Quotation



Alterations Catalog No. L(LC) P(PC) W(WC) R (BC·KC, etc.)  
ELDR 32 - 40 - P16.00 - W10.00 - R4.00 - KC45

Alteration	Code	A	D R E G	1Code
Alterations to shaped hole	PC WC	Shaped hole diameter change min. $\frac{P-W_{min}}{2} \leq \frac{PC-P}{2} < W$ 0.01mm increments If PC1.25 ~ 1.99, B·b=4. max. $\frac{P}{W} < \frac{PC}{WC} \leq P \cdot K_{max} + 0.2$ 0.01mm increments		Quotation
	BC	Shaped hole depth change $1 \leq BC \leq b$ 0.1mm increments Can be used for regular types only. Cannot be used for economy types.		
	PKC	Shaped hole diameter tolerance change $P+0.01 \leq P < P+0.005$ $0 \leq P < 0$ Cannot be used for economy types.		

Alteration	Code	A	D R E G	1Code
Alterations to full length	LC	Full length change $33 \leq LC < 40$ 0.1mm increments b dimension is shortened by (L-LC). Regular type If L-LC > b-B, length of shaped hole straight portion B is b-(L-LC).		Quotation
	LKC	Full length tolerance change $L+0.4 \leq L < L+0.05$ $L+0.2 \leq L < 0$		
Others	KC		Ball position change 1° increments	

