

CHECKER ACCESSORY PARTS

CHECKER
ACCESSORY
PARTS
検具小物部品



PRODUCT NAME Catalog No.	CENTERING BLOCK FOR C/F / CENTERING HOLE JZBVW JZBVWB JZKVW	LOCATING BLOCK KGFDFZ KGFDFSC KGFDFSZ
PAGE	64	65



LOCATING BLOCK KGDQCY KGDQCF KGDY
66



HANDLE / TAPER PIN CFLSS CFLSL ZDXV
67



BALL KNOB / STAR KNOB SBQRM WXBSM
68

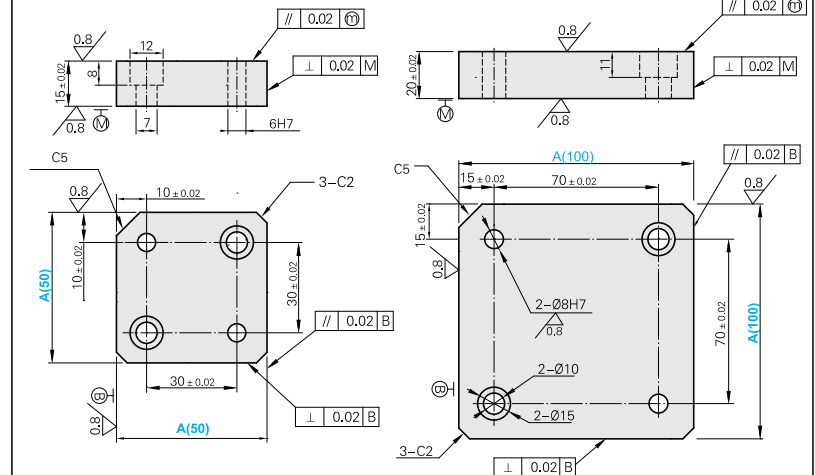


RUBBER BASE / CENTER ADJUST PAD / CENTERING BALL SET XJDY JLTZK JZQTZ
69

CENTERING BLOCK FOR C/F / CENTERING HOLE

Centering Block

JZBVW (Plating)
JZBVWB (Black Oxide)



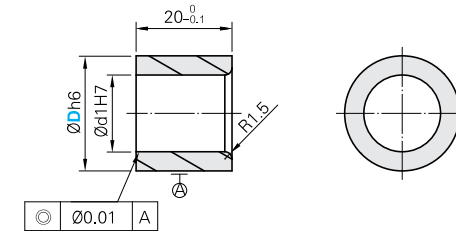
M	Material	S	Surface Treatment	H	Hardness	Catalog No.	A
CR8	Plating	50HRC ~	JZBVW	50	100		
S45C	Black Oxide	40HRC ~	JZBVWB	50	100		

Order	Catalog No.	A
	JZBVW	100
	JZBVWB	50

Delivery **Quotation**

Centering Hole

JZKVW



Chamfer C0.5

M	Material	S	Surface Treatment	H	Hardness	Catalog No.	d1
						Type	D
SKD11	Rust proofing	58RHC ~	JZKVW	24	16		

Order	Catalog No.
	JZKVW 24

Delivery **Quotation**