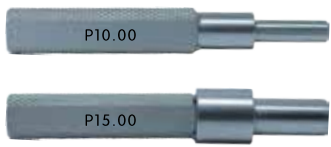


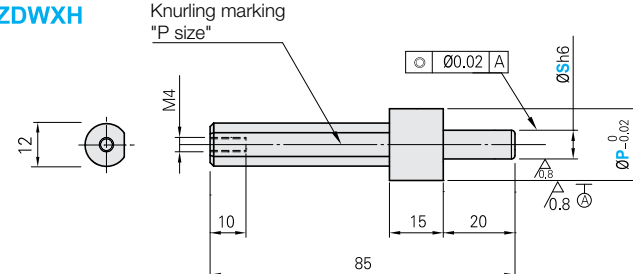
INSPECTION STRAIGHT PIN / INSPECTION DIAMOND PIN

ROUND INSPECTION PIN / SQUARE INSPECTION PIN

Inspection Straight Pin



ZDWXH

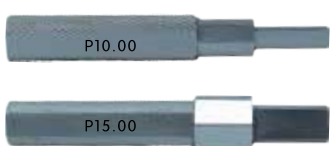


Name	M Material	S Surface Treatment	H Hardness
Handle	SS400	Hard Chrome	—
Gauge	SKD11	Hard Chrome	58-62HRC

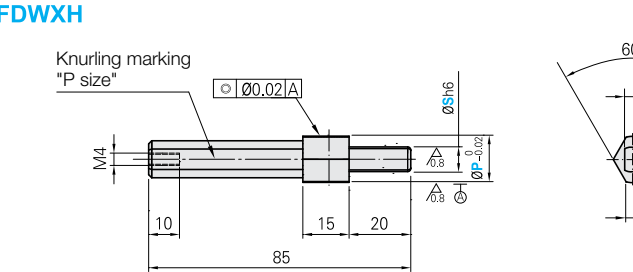
Ⓢ<P

H	Catalog No.	0.01 mm Increment		Engraved content
		P	S	
12	ZDWXH	6~20mm (P>S)	3~18mm	ØP Engraved

Inspection Diamond Pin



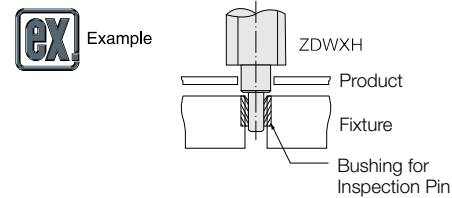
FDWXH



Name	M Material	S Surface Treatment	H Hardness
Handle	SS400	Hard Chrome	—
Gauge	SKD11	Hard Chrome	58-62HRC

Ⓢ<P
Ⓢ<C

Catalog No.	0.01 mm Increment		F	Engraved content
	P	S		
FDWXH	6~20mm (P>S)	3	2.5	ØP Engraved
		4	3	
		6	5	
		8	6	
		10	8	
		12	10	




Order

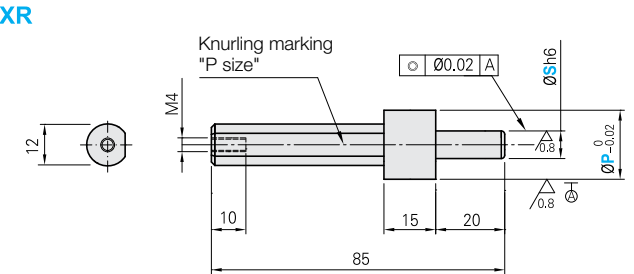
Catalog No.	P	S	E
ZDWXH	10.00	6.00	
FDWXH	10.00	6	2

Delivery **Quotation**

Round Inspection Pin



JCXR



Name	M Material	S Surface Treatment	H Hardness
Handle	SS400	Hard Chrome	—
Gauge	SKD11	Hard Chrome	58-62HRC

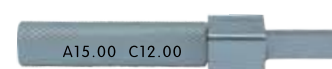
Ⓢ<P

Catalog No.	0.01 mm Increment		Engraved content
	P	S	
JCXR	6~25mm (P>S)	3~18mm	ØP Engraved

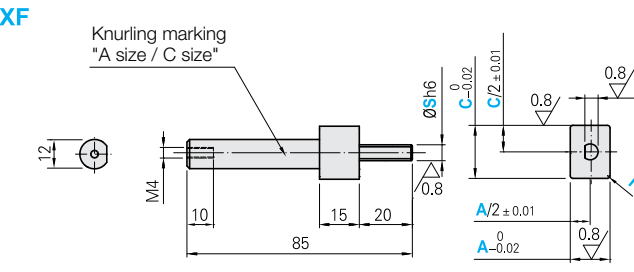
Order

Catalog No.	P	S
JCXR	10.00	6.00

Square Inspection Pin



JCXF



Name	M Material	S Surface Treatment	H Hardness
Handle	SS400	Hard Chrome	—
Gauge	SKD11	Hard Chrome	58-62HRC

Ⓢ<C
Ⓢ<A

Catalog No.	0.01 mm Increment			S	E	Engraved content
	A	C	R			
JCXF	6~25mm (A>S)	6~25 (C>S)	1~6 (R<A/2) (R<C/2)	3	2.5	A Engraved C Engraved
				4	3	
				6	5	
				8	6	
				10	8	
			12	10		

Order

Catalog No.	A	C	R	S
JCXF	15.00	12.00	2	8

Delivery **Quotation**

INSPECTION PIN & BUSH

INSPECTION PIN & BUSH