


BUSHING FOR INSPECTION PIN

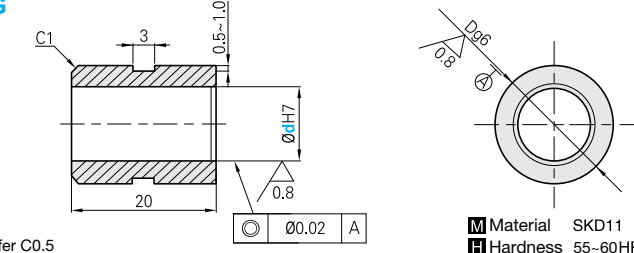
—ROUND BUSHING / D SHAPE BUSHING—

MAIN INSPECTION STRAIGHT TAPER PIN / SUB INSPECTION DIAMOND TAPER PIN

Round Busing




CTYG

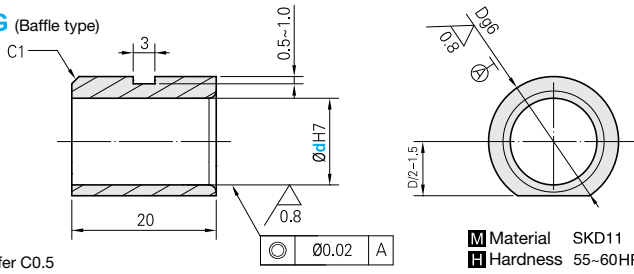


Chamfer C0.5

Material SKD11
Hardness 55-60HRC



CTRG (Baffle type)




Chamfer C0.5

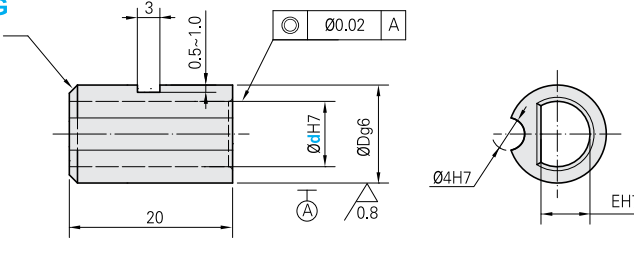
Material SKD11
Hardness 55-60HRC

Installation	Catalog No.		D	Surface Treatment
	Type	d		
Embedded	CTRG (Baffle type) CTYG	3	8	Hard Chrome
		4	8	
		5	10	
		6	10	
		8	12	
		10	15	
12	18			

D Shape Busing



CTDG



Chamfer C0.5


Material SKD11
Hardness 55-60HRC

Installation	Catalog No.		D	E	Surface Treatment
	Type	d			
Embedded	CTDG	3	8	2.5	Hard Chrome
		4	8	3	
		6	10	5	
		8	12	6	
		10	15	8	
		12	18	10	

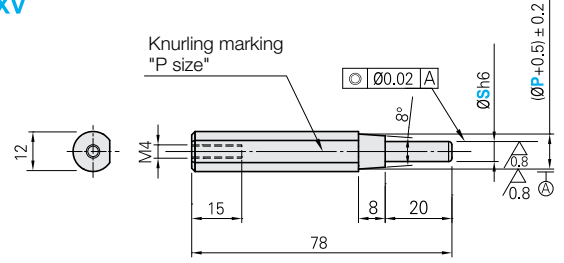
Order **CTRG 5**
CTYG 5
CTDG 8

Delivery **Quotation**

Main Inspection Straight Taper Pin



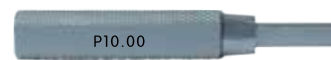
ZDWXV



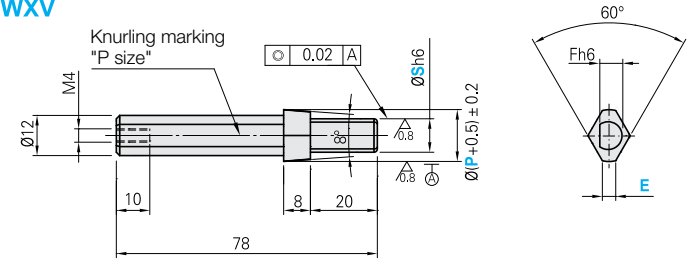
Name	Material	Surface Treatment	Hardness
Handle	SS400	Hard Chrome	—
Gauge	SKD11	Hard Chrome	58-62HRC

Catalog No.	0.01 mm Increment		Engraved content
	P	S	
ZDWXV	6~20mm (P>S)	3~18mm	ØP Engraved

Sub Inspection Diamond Taper Pin

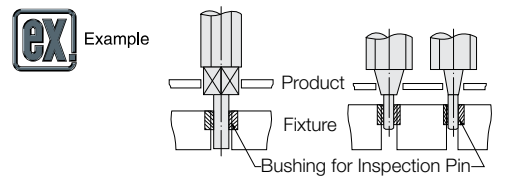


FDWXV



Name	Material	Surface Treatment	Hardness
Handle	SS400	Hard Chrome	—
Gauge	SKD11	Hard Chrome	58-62HRC

Catalog No.	0.01 mm Increment		F	Engraved content
	P	S		
FDWXV	6~20mm (P>S)	3	2.5	ØP Engraved
		4	3	
		6	5	
		8	6	
		10	8	
		12	10	



Order - - -

ZDWXV - 10.00 - 6.00

FDWXV - 10.00 - 6 - 2

Delivery **Quotation**

INSPECTION PIN & BUSH

INSPECTION PIN & BUSH