


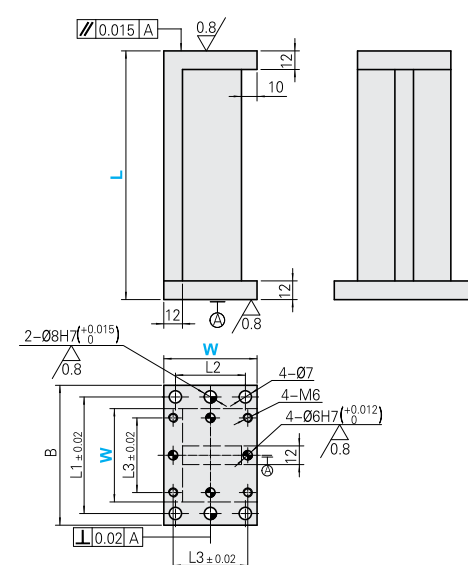
# I SHAPE SUPPORT / L SHAPE SUPPORT

# T SHAPE SUPPORT

**I Shape Support**



**GZSC**

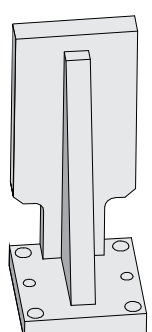


**M** Material SS400  
**S** Surface Treatment Nickel coating

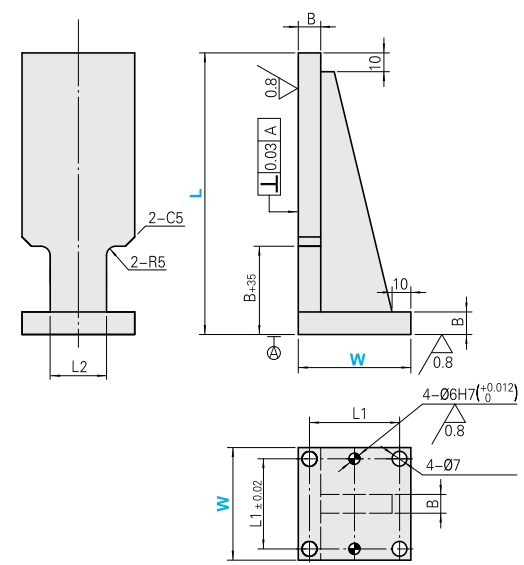
\* Tolerance is only for Dowel hole

Catalog No.		Length (L)	B	L1	L2	L3
Type	Width (W)					
GZSC	40	75 100 125 150	70	55	25	30
	60	100 125 150 175 200 225 250	90	75	45	48
	80	100 125 150 175 200 225 250 275 300	120	100	60	65

**L Shape Support**



**LZSC**




**M** Material SS400  
**S** Surface Treatment Nickel coating

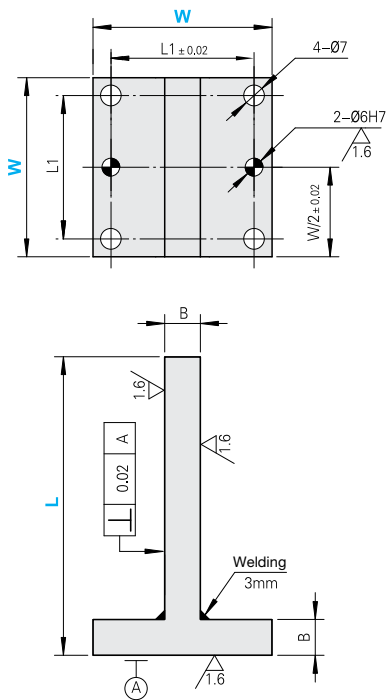
\* Tolerance is only for Dowel hole

Catalog No.		Length (L)	B	L1	L2
Type	Width (W)				
LZSC	40	100 125	10	30	12
	60	100 125 150 175 200 225 250 275	12	48	30
	80	160 180 200 225 250 275	12	65	40

**T Shape Support**



**TXZSC** (Steel)  
**TXZA** (Aluminum)



**M** Material SS400  
**S** Surface Treatment Nickel coating

**TXZSC** SS400 Nickel coating  
**TXZA** 6063A Anodizing coating

\* Tolerance is only for Dowel hole

Catalog No.		Length (L)	L1	B
Type	Width (W)			
TXZSC TXZA	60	100	48	12
	80	145	65	15

Order

Catalog No.	L
GZSC 60	100 (I Shape Support)
LZSC 80	200 (L Shape Support)
TXZA 80	145 (T Shape Aluminum Support)

Delivery **Quotation**