
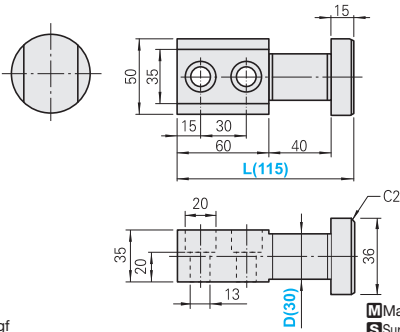


LIFTING HOOKS · EYE BOLTS

Lifting Hook Light Duty



JDEA



ⓂMaterial 40Cr
ⓈSurface Treatment Phosphate plating


Ⓢ Allowable load 282kgf

Order Catalog No. — L
JDEA 30 — 115


Delivery Quotation

Lifting Eye Bolts -for Vertical Lifting-

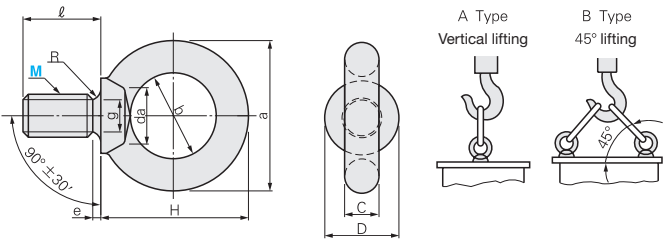
CHI



CHIC



CHI CHIC



• **CHI**

ⓂMaterial SS400
Bolt precision JIS1168

• **CHIC**

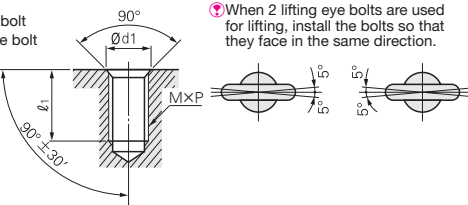
ⓂMaterial SS400
ⓈSurface Treatment Chromate

Ⓢ Nuts attached for CHIC, but none for CHI


M×P	a	b	C	D	H	ℓ	e	g	R	da	Max. allowable load N {kgf}		Catalog No.	
											A: Vertical, 1 bolt	B: 45°, 2 bolts	Type	M
8×1.25	32.6	20	6.3	16	33.3	15	3	6	1.0	9.2	785{ 80}	785{ 80}	CHI CHIC	8
10×1.5	41	25	8	20	41.5	18	4	7.7	1.2	11.2	1471{ 150}	1471{ 150}		10
12×1.75	50	30	10	25	51	22	5	9.4	1.4	14.2	2157{ 220}	2157{ 220}		12
16×2.0	60	35	12.5	30	60	27	5	13	1.6	18.2	4413{ 450}	4413{ 450}		16

• Load {kgf} = Load N×0.101972

■ **Installation** Tighten the lifting eye bolt lightly by hand so that the seat of the bolt is firmly in contact with the plate.



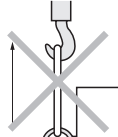
Ⓢ When 2 lifting eye bolts are used for lifting, install the bolts so that they face in the same direction.



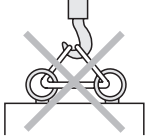
Caution

Incorrect examples

Never attempt the types of lifting shown in the diagram.



Side lifting



Cross-coupling with a single rope when lifting with 2 bolts.

Order Catalog No.
CHI 10

Delivery Quotation

OTHER COMPONENTS FOR CHECKING FIXTURE