



検具用トグルクランプ - ハンドル立・ハンドル横・横抑え -

TOGGLE CLAMPS FOR CHECKING FIXTURE

- VERTICAL HANDLE · HORIZONTAL HANDLE · HORIZONTAL HOLD-DOWN -

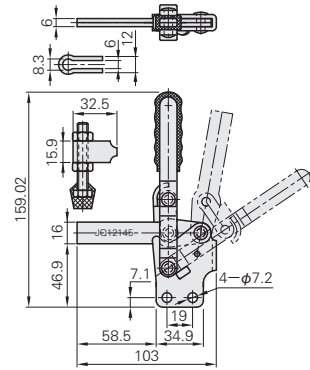
Fixed Side-Vertical Handle Type



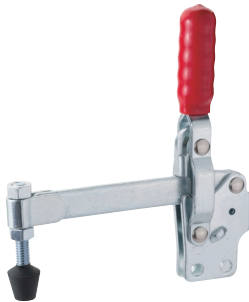
(Clamped)

JQ12145

Catalog No.	JQ12145
Material	SS400
Handle material	PVC (Polyvinyl Chloride)
Surface Treatment	Chromate
Tightening force (N)	2225
Weight (g)	340
Handle open-close angle	100°
Arm open-close angle	60°
Accessory	Bolt with rubber
Mounting bolt	M6



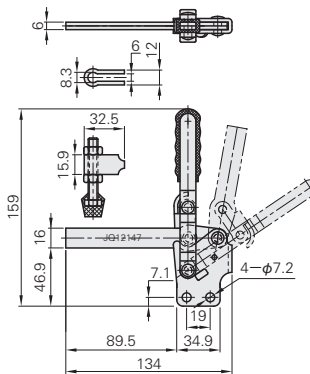
Fixed Side-Vertical Handle Type



(Clamped)

JQ12147

Catalog No.	JQ12147
Material	SS400
Handle material	PVC (Polyvinyl Chloride)
Surface Treatment	Chromate
Tightening force (N)	2225
Weight (g)	355
Handle open-close angle	100°
Arm open-close angle	60°
Accessory	Bolt with rubber
Mounting bolt	M6



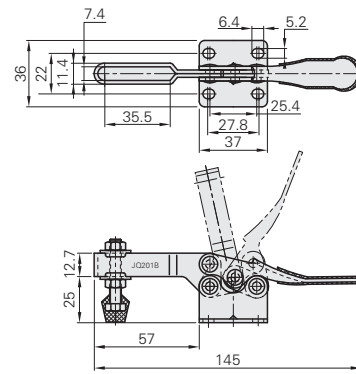
Fixed Bottom-Horizontal Handle Type



(Clamped)

JQ201B

Catalog No.	JQ201B
Material	SS400
Handle material	PVC (Polyvinyl Chloride)
Surface Treatment	Chromate
Tightening force (N)	882
Weight (g)	130
Handle open-close angle	85°
Arm open-close angle	60°
Accessory	Bolt with rubber
Mounting bolt	M4



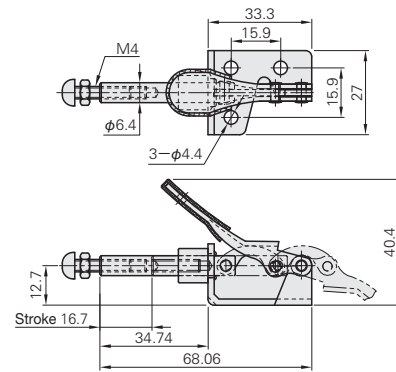
Fixed Bottom-Horizontal Hold-Down Type



(Clamped)

JQ301AM

Catalog No.	JQ301AM
Material	SS400
Handle material	PVC (Polyvinyl Chloride)
Surface Treatment	Chromate
Tightening force (N)	441
Weight (g)	50
Stroke (mm)	16.7
Arm open-close angle	190°
Accessory	NYLON Bolt
Mounting bolt	M4



TOGGLE CLAMPS
FOR CHECKING FIXTURE