



検具用トグルクランプ ーハンドル立ー

# TOGGLE CLAMPS FOR CHECKING FIXTURE

-VERTICAL HANDLE-

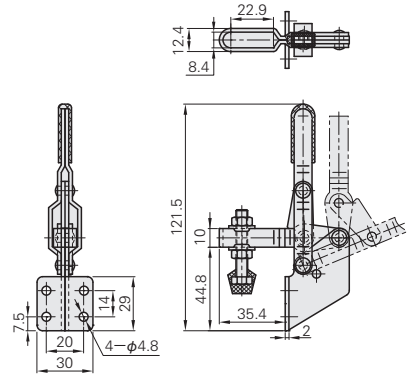
Fixed Side-Vertical Handle Type



(Clamped)

**JQ101B**

Catalog No.	<b>JQ101B</b>
Material	SS400
Handle material	PVC (Polyvinyl Chloride)
Surface Treatment	Chromate
Tightening force (N)	980
Weight (g)	135
Handle open-close angle	100°
Arm open-close angle	65°
Accessory	Bolt with rubber
Mounting bolt	M4



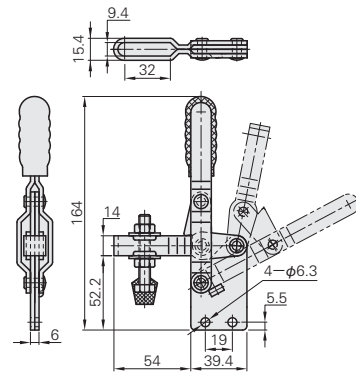
Fixed Side-Vertical Handle Type



(Clamped)

**JQ101DI**

Catalog No.	<b>JQ101DI</b>
Material	SS400
Handle material	PVC (Polyvinyl Chloride)
Surface Treatment	Chromate
Tightening force (N)	1764
Weight (g)	330
Handle open-close angle	100°
Arm open-close angle	60°
Accessory	Bolt with rubber
Mounting bolt	M5



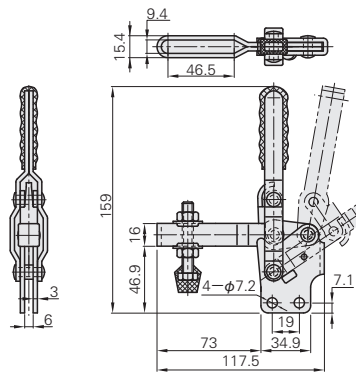
Fixed Side-Vertical Handle Type



(Clamped)

**JQ12135**

Catalog No.	<b>JQ12135</b>
Material	SS400
Handle material	PVC (Polyvinyl Chloride)
Surface Treatment	Chromate
Tightening force (N)	2225
Weight (g)	335
Handle open-close angle	100°
Arm open-close angle	60°
Accessory	Bolt with rubber
Mounting bolt	M6



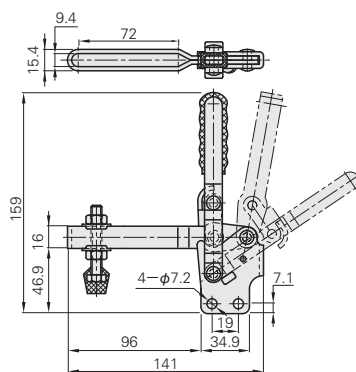
Fixed Side-Vertical Handle Type



(Clamped)

**JQ12137**

Catalog No.	<b>JQ12137</b>
Material	SS400
Handle material	PVC (Polyvinyl Chloride)
Surface Treatment	Chromate
Tightening force (N)	2225
Weight (g)	370
Handle open-close angle	100°
Arm open-close angle	60°
Accessory	Bolt with rubber
Mounting bolt	M6



TOGGLE CLAMPS FOR CHECKING FIXTURE