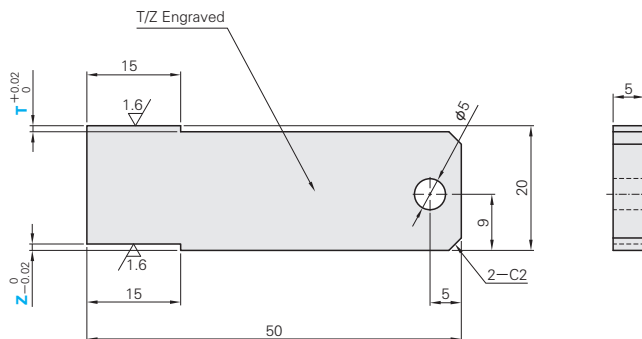




段差ゲージ  
**FLUSH GAUGES**



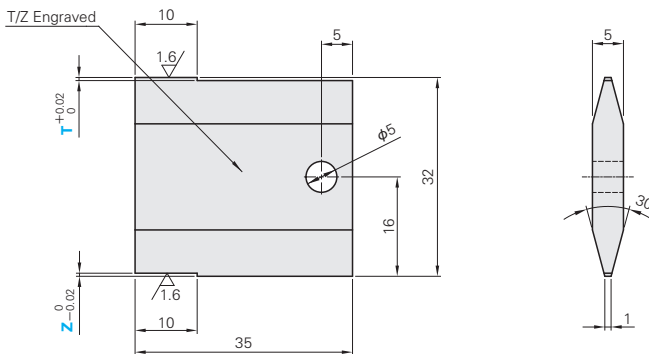
**ZTMA**



Material SUS420J2  
Hardness 50-55HRC



**ZTMB**



Material SUS420J2  
Hardness 50-55HRC

INSPECTION AND LOCATING COMPONENTS

Catalog No.	T	Z
Type	0.01 mm Increment	0.01 mm Increment
<b>ZTMA</b>	<b>0.20~2.00</b>	<b>0.20~2.00</b>
<b>ZTMB</b>		



Order

Catalog No.	-	T	-	Z
<b>ZTMA</b>	-	<b>0.50</b>	-	<b>0.50</b>
<b>ZTMB</b>	-	<b>0.50</b>	-	<b>0.50</b>



Delivery

**Quotation**