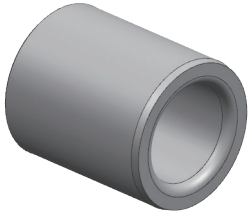
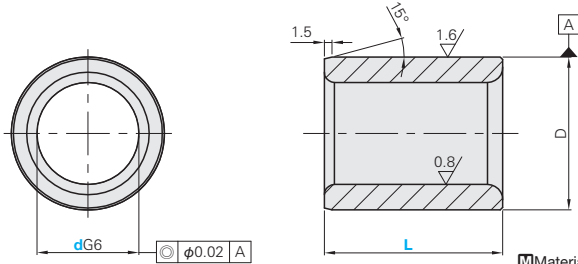




ブシュ/ブシュガイドホルダ

BUSHING / BUSHING GUIDE SUPPORT

Round Type -Press-Fit- YTM

Material SUS420J2
 Hardness 50-55HRC

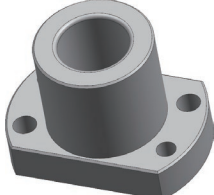
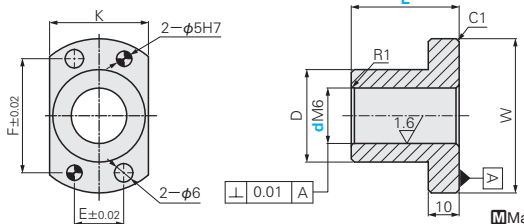
Catalog No.		L						D (m6)	
Type	d (G6)	8	10	12	15	20	25	8	10
YTM	4	+0.012							
	6	+0.004							
	8	+0.014	8	10	12	15	20	25	12
	10	+0.005	8	10	12	15	20	25	15
	12	+0.017 +0.006	8	10	12	15	20	25	18

Order Catalog No. — L
YTM 4 — 12

Delivery Quotation

INSPECTION AND LOCATING COMPONENTS

Bushing Guide Support CTZZ

Material SUS304

Catalog No.		L				D	E	F	K	W
Type	d									
CTZZ	8	25				20	11	27	22	40
	10	25	30	35						
	12	25	30	35	40					
	15	25	30	35	40	30	16	37	32	50
	18	25	30	35	40					

Order Catalog No. — L
CTZZ 8 — 25

Example

Delivery Quotation

