

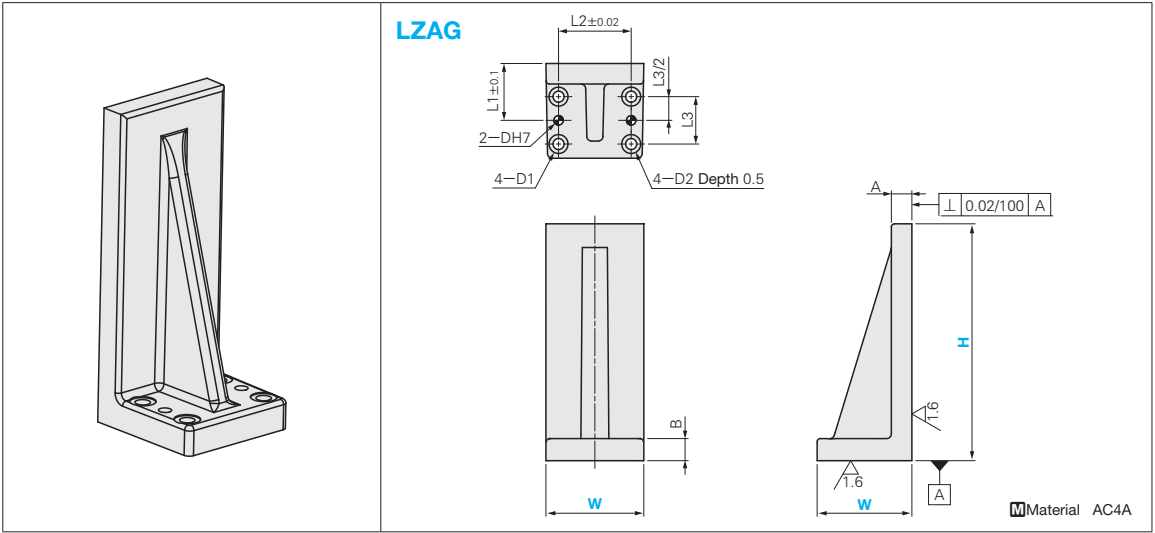


L型イケール -アルミ鋳造-

L SHAPE SUPPORT

-CAST ALUMINUM-

STAND COMPONENTS




Catalog No.		H	L1	L2	L3	D	D1	D2	A	B
Type	W									
LZAG	40	75	25	30	18	5	5.5	9	10	10
		100								
		125								
		150								
		200								
		250								
LZAG	60	100	36	46	30	6	7	12	13	14
		125								
		150								
		200								
		250								

Catalog No.		H	L1	L2	L3	D	D1	D2	A	B
Type	W									
LZAG	80	160	48	62	45	6	9	14	15	16
		180								
		200								
		250								
		300								
		350								
LZAG	120	400	72.5	96	65	8	11	16	22	24
		450								
		500								
		550								
		600								

Order -

Alterations - -

Delivery **Quotation**

Alterations	Code	Spec.
Surface coated with blue paint 	B	Non-operating surface of support coated with blue paint.

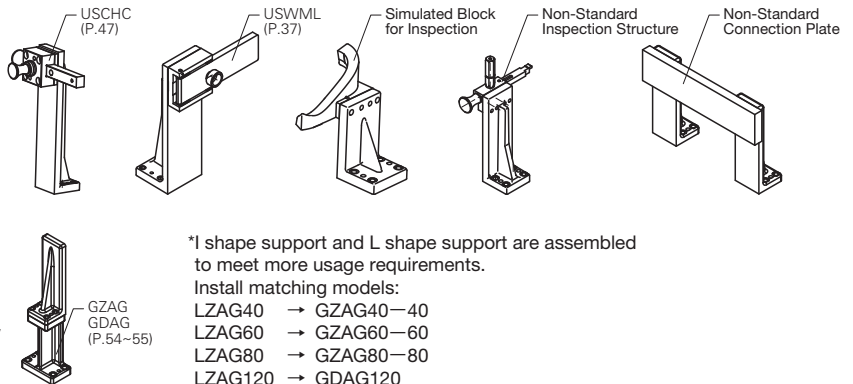
ex Example

L shape mounting surface can be used for mounting various standard components or non-standard structures.

*Applicable to USCWM, UAWK, WSCW□□, WAW□□, USCHC, WSHK, WSHK and USWML series;

*Also applicable to other standard/non-standard components with the same mounting dimensions.

Various usage needs are satisfied by selecting different sizes and heights of the mounting surface.



*I shape support and L shape support are assembled to meet more usage requirements.

Install matching models:

LZAG40 → GZAG40-40

LZAG60 → GZAG60-60

LZAG80 → GZAG80-80

LZAG120 → GDAG120