



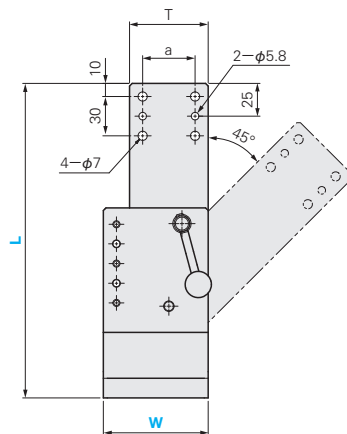
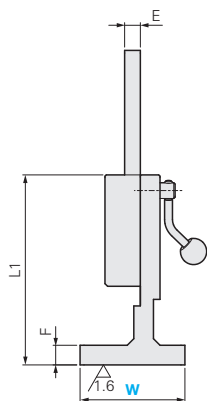
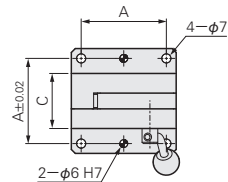
スチール立式回転ユニット -T型・立向き-

STEEL CLAMP PLATE UNITS

-VERTICAL OPERATION-



TSLY



UNITS AND RELATED COMPONENTS

No.	Name	Material	Surface Treatment
①	T shape main body	S45C	Nickel coating
②	Swing arm	S45C	Nickel coating
③	Lever knob	PF	-

Catalog No.		L	L1	T	A	C	E	F	a
Type	W								
TSLY	60	180	110	40	48	34	10	12	20
	80	240	145	60	65	42	12	15	40



Order

Catalog No. - L
TSLY 60 - 180



Delivery

Quotation



Alterations

Catalog No. - L - (NBB)
TSLY 60 - 180 - NBB

Alterations	Code	Spec.
	NBB	No mounting hole for swing arm

- Optional supports: GZSC60(P.51)
 GZSC80(P.51)
 GZAG60-60(P.54)
 GZAG80-80(P.54)
 TALH65(P.57)
 TALH85(P.57)