

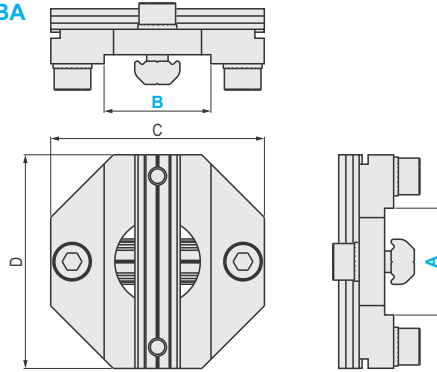
NEW

MOUNTING BRACKET

■ Cross Mounting Bracket for Extruded Profiles (with T-Nuts)

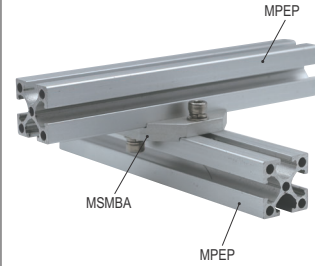


MSMBA



ex

Example



M Material	S Surface treatment
Aluminum product	Anodizing

- This product is used together with the profile grip and its components. Note that it may not be compatible to assemble with other products.
- When tightening, the gap is controlled to be less than 1mm.
- The surface is anodized, and the color of the actual product may vary from the product picture.

Part Number	A	B	C	D	Weight (g)	Type of T-Nuts
MSMBA	25	18	38	45	60	MPTN5—28/MPTN5—35
	25	25	50	50	75	MPTN5—40
	40	40	60	60	85	MPTN5—50
	50	25	70	70	155	MPTN5—60
	50	50	70	70	170	MPTN5—60



Order

Part Number — **A** — **B**
MSMBA — 25 — 18



Price

Quotation



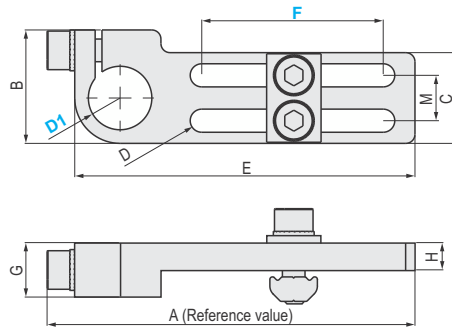
Days to Ship

Quotation

■ Mounting Bracket (with T-Nuts)

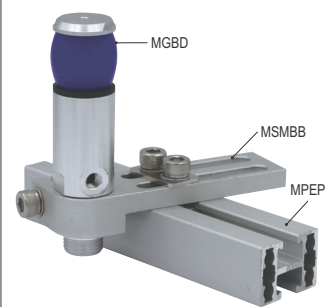


MSMBB



ex

Example



M Material	S Surface treatment
Aluminum product	Anodizing

- This product is used together with the profile grip and its components. Note that it may not be compatible to assemble with other products.
- When tightening, the gap is controlled to be less than 1mm.
- The surface is anodized, and the color of the actual product may vary from the product picture.
- 'A' value is only for reference use.

Part Number	D1	F	A	B	C	D	E	G	H	M	Weight (g)	Type of T-Nuts
MSMBB	8	40	75	20	16	4.2	70	8	4.5	8	13	MPTN4—8
	10	40	75	20	16	4.2	70	8	4.5	8	23	MPTN4—8
	12	40	75	20	16	4.2	70	8	4.5	8	12	MPTN4—8
	14	40	81.1	25	20	5.2	75	12	6	10	38	MPTN5—10
	14	50	91.1	25	20	5.2	85	12	6	10	40	MPTN5—10
	20	60	111.1	30	25	5.2	105	12	6	15	55	MPTN5—15
	30	60	121.1	40	35	5.2	115	12	8	22	95	MPTN5—22



Order

Part Number — **D1** — **F**
MSMBB — 8 — 40



Price

Quotation



Days to Ship

Quotation

REMOVAL RELATED PRODUCTS