
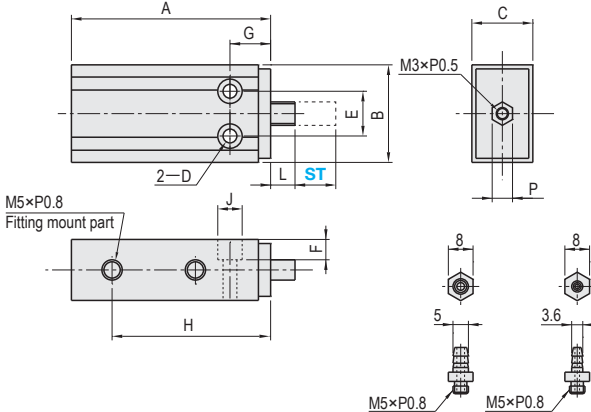


# MINI CYLINDER / STOPPER PLATE



RoHS 10

MC-CHNQS



**Basic Specifications**

- Actuation type: Single acting type
- Operating fluid: Air
- Operating pressure: 1.5~8.5 kgf/cm<sup>2</sup>
- Operating temperature range: 0~60°C
- Body material: Aluminum alloy

A	B	C	P	E	G	L	H	D	F	J	Cylinder internal dia.	Weight (g)*1	Supplied bolts	Included fitting	Part Number		Stroke	Unit Price
															Type	No.	ST	1~10 pcs
49	24	15	5	11	10	6	39	3.4	5	6	10	100	M3-18: 2 pcs	Pipe fitting: 2 pcs (Applicable tube 6x4, 4x2.5)	MC-CHNQS	10	10	Quotation

\*1 The weight is an approximate value which serves only as a guideline.

For quantities not displayed here, refer to our MISUMI website for more information.

Order

**Part Number**    **ST**  
MC-CHNQS10    - 10

Days to Ship


Quotation

P

Price

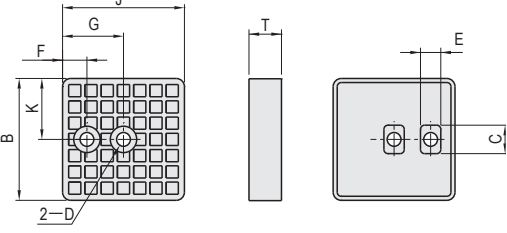
Quotation

**Stopper Plate**

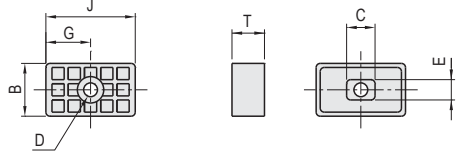


MC-GRP

**3030**



**1322**



Material symbol	M Material	Color
S	Silicone rubber	White
N	Nitrile rubber	Black

Applicable cylinder	J	B	T	C	D	E	F	G	K	Weight (g)*1	Included bolt	Part Number		Hardness shore A	Material symbol	Unit Price
												Type	No.			
MC-CHNQS10-10	30	30	8	7	3.4	5	6	15	15	20	M3-6: 1 pc	MC-GRP	3030	60	S (Silicone rubber)	Quotation
														70	N (Nitrile rubber)	
	22	13	-	-	11	-	10	60	S (Silicone rubber)							
								70	N (Nitrile rubber)							

\*1 The weight is an approximate value which serves only as a guideline.

For quantities not displayed here, refer to our MISUMI website for more information.

Order

**Part Number**    **A**    **Material symbol**  
MC-GRP3030    - A60    - S

Days to Ship

Quotation

P

Price

Quotation