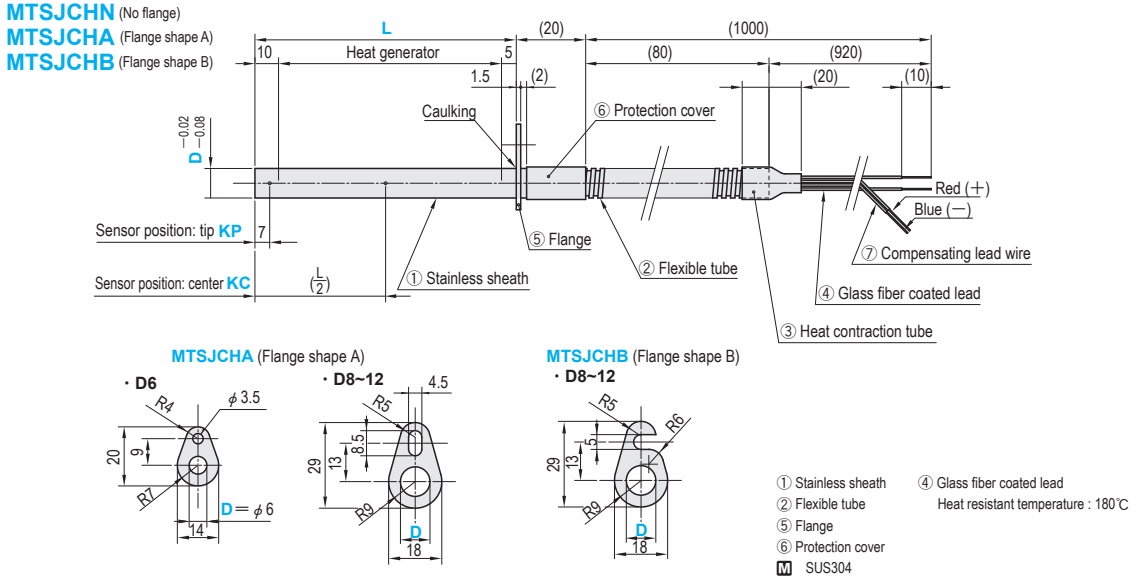


CARTRIDGE HEATERS

-L DIMENSION • WATTAGE • FLANGE SELECTION SENSOR ATTACHED TYPE-

RoHS10



COMPONENTS FOR MOLD COOLING AND TEMPERATURE CONTROLLING SYSTEMS

W density (W/cm ²)	Part Number		L (mm increments)	V (Voltage) selection	W (Wattage) 10W increments	Sensor position (K type) selection
	Type	D				
$2 \leq W/cm^2 \leq 15$ $W/cm^2 = W / \{D \times (L - 15) \times 3.14 / 100\}$	MTSJCHN (No flange)	*6	50~200	200 220	50~520	KP : tip KC : center
	MTSJCHA (Flange shape A)	8			50~1100	
	MTSJCHB (Flange shape B)	10	50~1600			
		12	50~1800			

Specify the wattage such that the W density (W/cm²) is within the range $2 \leq W/cm^2 \leq 15$. *Flange shape B is not available for D6.

Order Part Number - L - V - W - Sensor position
MTSJCHA10 - 200 - V200 - W600 - KP

Days to Ship **Quotation**

Alterations Part Number - L - V - W - Sensor position - (JC · HC · M4 · G4)
MTSJCHA10 - 200 - V200 - W600 - KP - JC2 - M4

Price

Part Number	Unit Price (1~9 pcs)								
	Type	D	L50 ~L100	L101 ~L150	L151 ~L200	L201 ~L250	L251 ~L300	L301 ~L350	L351 ~L400
MTSJCHN (No flange)	6								
	8								
	10								
	12								
MTSJCHA (Flange shape A)	6								
	8								
MTSJCHB (Flange shape B)	10								
	12								

Alterations	Code	Spec.	1Code
	JC	Change the length of the lead wire for a heater. Designation method Lead wire length (mm) JC2 2000 JC3 3000	Quotation
	HC	Change the length of the compensation lead wire for a temperature sensor. Designation method Compensating lead wire length (mm) HC2 2000 HC3 3000	
	M4	Fit round crimped terminal (M4) onto lead wire.	
	G4	Fit Y-type crimped terminal (M4) onto lead wire.	

D16 is for MTSJCHN and MTSJCHA.

Features A cartridge heater and a temperature sensor (K type) are integrated in these products. Ideally suited for limited space because there is no need to mount a heater and a temperature sensor separately. In addition, temperature control of the heater itself by the sensor prevents shorts and ignition due to abnormal heating.