
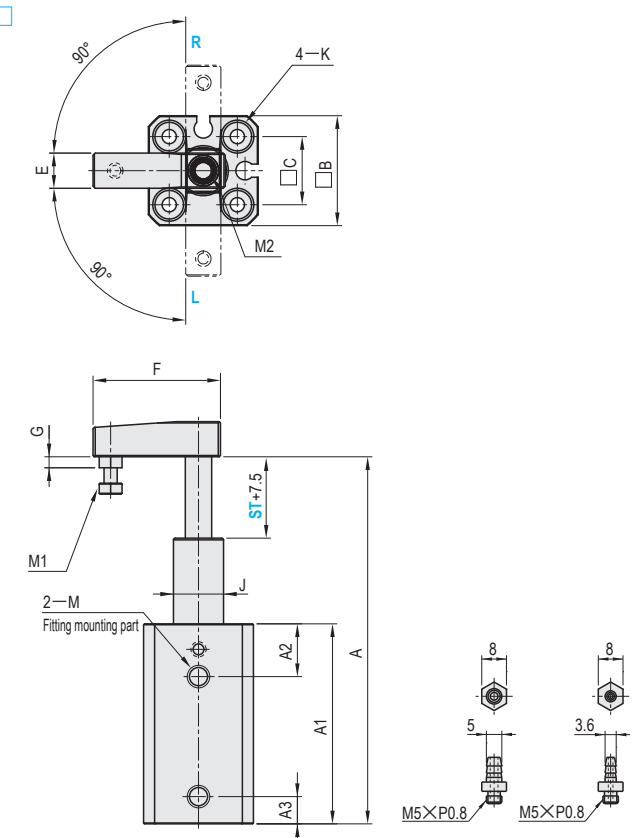


ROTARY CLAMP CYLINDER

SENSOR / TUBE



RCC-CHSC




Basic Specifications

- Actuation type: Double acting type
- Operating fluid: Air
- Operating pressure: 1.5~9kgf/cm²
- Operating temperature range: 0~60°C

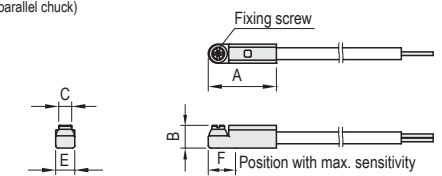
A	A1	A2	A3	B	C	K			E	F	G	J	M	M1	M2	Cylinder internal dia.	Weight (g)	Included fitting	Applicable Sensor	Part Number		Stroke ST	Rotation direction	Unit price 1~10 pcs
						Through hole	Tapping screw	Counterbored hole												Type	No.			
83.5	45.5	12	6.2	25	15.5	3.5	M4×P0.7×7dp	φ 6.5×4dp	8	29	2.5	11	M5×P0.8	M3×P0.5	M3×P0.5	12	100	Pipe fitting: 2 pcs Applicable tube: 6×4, 4×2.5	CS-CHCSM9	RCC-CHSC	12	10	R L	Quotation

*1 The weight is an approximate value. Consider it a guideline. Please check with our WOS for the purchase order that exceeds the displayed quantity.

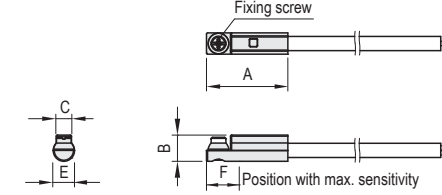
Order **Part Number** **RCC-CHSC12** - **Stroke ST** **10** - **Rotation direction** **L** **Days to Ship** **Quotation**



CS-CHCSM5
(For parallel chuck)



CS-CHCSM9
(For rotary clamp cylinder)



Applicable product	Load voltage	Load current	Sensor type	Number of wires	Leads Takeout direction	Cable Length L	A	B	C	E	F	Weight (g) ^{*1}	Part Number		Unit price 1~10 pcs
													Type	No.	
HC-CHDLS	DC 10~28V	4~20mA	Contactless	2-wire	Backward	2m	15	5	2.9	4.3	6	3	CS-CHCSM	5	Quotation
RCC-CHSCL							22.9	4.8	2.9	3.9	11.5	3		9	

*1 The weight is an approximate value. Consider it a guideline. Please check with our WOS for the purchase order that exceeds the displayed quantity.

Order **Part Number** **CS-CHCSM5** **Days to Ship** **Quotation**

T-CHPU



Type	Material
T-CHPU	Polyester

Outer× Inner dia.	Min. bending radius (mm)	Burst pressure (MPa)	Usable pressure (MPa)	Usable temperature Range (°C)	Part Number		Tube Color	Total length L (m)	Unit price 1~30 pcs
					Type	No.			
4×2.5	10	3.2	0~1.0	0~50	T-CHPU	0425	B (black)	20	Quotation
							OR (orange)	30	
6×4	16	2.7	0~1.0	0~50	T-CHPU	0604	BU (blue)	40	Quotation
							W (white)	50	
							Y (yellow)	20	
							G (green)	30	
							R (red)	40	
								50	

*1 Please check with our WOS for the purchase order that exceeds the displayed quantity.

Order **Part Number** **T-CHPU0425** - **Tube color** **R** - **Total length L** **20** **Days to Ship** **Quotation**