


NUTS FOR ALUMINUM FRAME

NUT

ALUMINUM BRACKETS

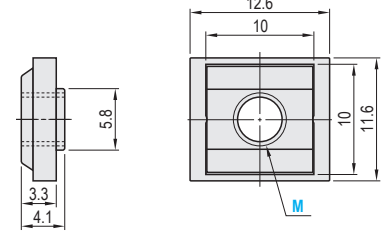
BRACKET

Non-slip integral nut RoHS **HNTE5**



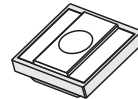
Type	M	Material	S	Surface treatment
HNTE5	S10C equivalent	Polyamide	Trivalent Chromate	

Reference tightening torque (N·m)	
M	S10C equivalent/SUS304
5	6.8



Part Number	M	Unit price			
		1~499 pcs	500~749	750~999	1000~1500
HNTE5	3 4 5	Quotation			

Example




The pre-mounted nut and non-slip section are integrated.

HNTE5-5
HFS5-2020

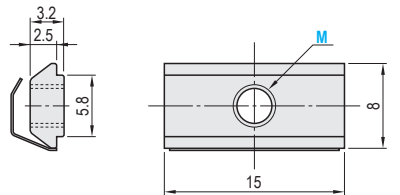
Will not slide off even if inserted in a vertically placed frame.

Nut with plate spring RoHS **HNTAP5**



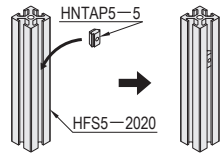
Type	M	Material	S	Surface treatment
HNTAP5	S10C equivalent	SUS304	Trivalent Chromate	

Reference tightening torque (N·m)	
M	S10C equivalent/SUS304
5	6.8



Part Number	M	Unit price			
		1~499 pcs	500~749	750~999	1000~1500
HNTAP5	3 4 5	Quotation			

Example



HNTAP5-5
HFS5-2020

As the plate spring is welded on, it will not slide off even if inserted in a vertically placed frame.

Order **Part Number** — **M**


HNTE5 — 5
HNTAP5 — 5

Days to Ship **Quotation**

Order Quantity	Standard Service	Non-Standard Service
1~1500	Standard Order	Large Order
Quantity	150+	To be quoted
Shipment Date	Standard	To be quoted

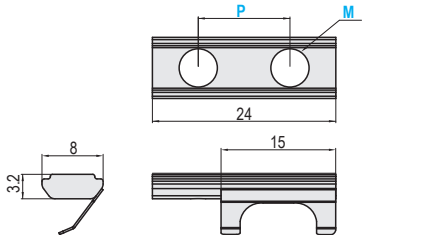
*Please check with our WOS for the purchase order that exceeds the displayed quantity.

Long nut with plate spring **AT-LNT**



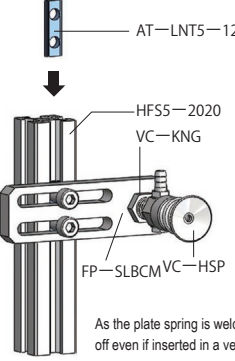
Type	M	Material	S	Surface treatment
AT-LNT	S10C equivalent	SUS304	Trivalent Chromate	

Reference tightening torque (N·m)	
M	S10C equivalent/SUS304
5	6.8



Weight (g)*1	Part Number		Pitch P	Unit price
	Type	M		
1	AT-LNT	5	12	Quotation

Example



AT-LNT5-12
HFS5-2020
VC-KNG
FP-SLBCMVC-HSP

As the plate spring is welded on, it will not slide off even if inserted in a vertically placed frame.

It can be used when fixing the slide bracket (with two long holes).

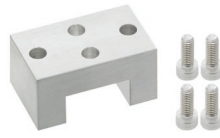
*1 The weight is an approximate value. Consider it a guideline. *Please check with our WOS for the purchase order that exceeds the displayed quantity.

Order **Part Number** — **Pitch P**

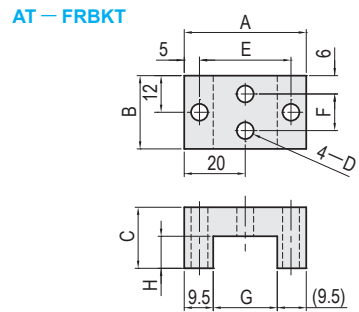
AT-LNT5 — 12

Days to Ship **Quotation**

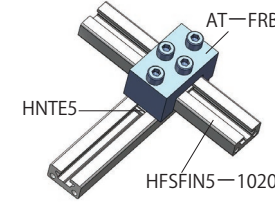
Cross connection bracket (Frame flat type) **AT-FRBKT**



Type	M	Material	S	Surface treatment
AT-FRBKT	A6061 equivalent	White alumite		



Example



AT-FRBKT
HNTE5
HFSFIN5-1020


A	B	C	D	E	F	G	H	Weight (g)*1	Supplied bolts	Part Number	Unit price
40	24	20	5.5	30	12	21	10.5	36	M5-14: 2 pcs / M5-25: 2 pcs	AT-FRBKT 1020	Quotation

*1 The weight is an approximate value. Consider it a guideline. *Please check with our WOS for the purchase order that exceeds the displayed quantity.

Order **Part Number** **Days to Ship** **Quotation**

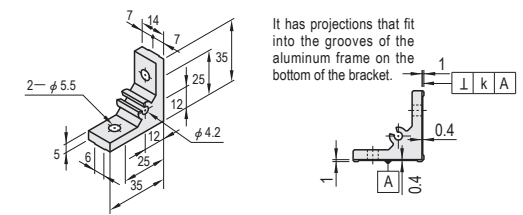
AT-FRBKT-1020

Thick bracket (Right angle machining type) RoHS **HBKTS5**



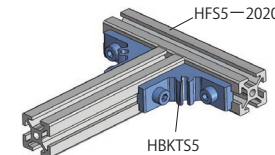
Type	M	Material	S	Surface treatment
HBKTS5	A6N01SS	T5	Alumite finish	

Part Number	Squareness K
HBKTS5	0.06



It has projections that fit into the grooves of the aluminum frame on the bottom of the bracket.

Example



HFS5-2020
HBKTS5

Part Number	Weight (g)*1	Applicable bolt / T-nut		Allowable load (N)	Unit price
HBKTS5	15	Bolt	T-nut	833	Quotation
		No. of pieces	No. of pieces		
		2	HNTT5-5	2	

*1 The weight is an approximate value. Consider it a guideline. *It does not come with a bolt. Be sure to apply alterations additionally if required. *For applicable bolt (CBM 5-10) and T-nut (HNTT 5-5) product information, refer to WOS.

Order **Part Number** **Days to Ship** **Quotation**

HBKTS5

Alterations **Part Number** — (SET)

HBKTS5 — SET

Order Quantity	Standard Service	Non-Standard Service
1~200	Standard Order	Large Order
Quantity	201~	To be quoted
Shipment Date	Standard	To be quoted

*Please check with our WOS for the purchase order that exceeds the displayed quantity.

Alterations	Code	Spec.	1 Code																
Applicable bolts/nuts set	SET	<p>It comes with applicable bolts and nuts for attaching the bracket to the frame. (Added to the bracket price)</p> <p>*Applicable only for thick brackets</p> <table border="1"> <tr> <th colspan="2">Bolt</th> <th colspan="2">Nut</th> </tr> <tr> <th>Code</th> <th>Part Number</th> <th>No. of pieces</th> <th>Part Number</th> </tr> <tr> <td>SET</td> <td>CBM5-10</td> <td>2</td> <td>HNTT5-5</td> </tr> <tr> <td></td> <td></td> <td>2</td> <td>2</td> </tr> </table> <p>*Check each applicable bolt and nut.</p>	Bolt		Nut		Code	Part Number	No. of pieces	Part Number	SET	CBM5-10	2	HNTT5-5			2	2	Quotation
Bolt		Nut																	
Code	Part Number	No. of pieces	Part Number																
SET	CBM5-10	2	HNTT5-5																
		2	2																