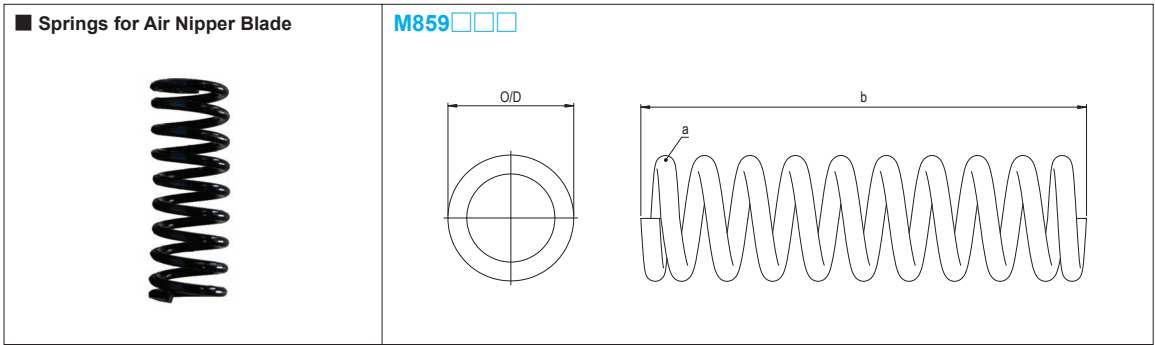


# SPRINGS FOR AIR NIPPER BLADE



■ Slide Type

Applicable models	Size (mm)			Material	Part Number	Unit Price
	a	b	O/D			1-9 pcs
MNT03, MNT05	φ 0.5	14	φ 3.8	SWP	M859110	Quotation
MNY05	φ 0.5	11	φ 3.8	SWP	M859111	
MNT10	φ 0.8	17	φ 5.2	SWP	M859112	
MNT20	φ 0.8	23	φ 5.5	SWP	M859113	
MNY25	φ 0.6	17	φ 5.2	SUS	M859114	
MNY10, MNY15	φ 0.4	16.5	φ 3.6	SUS	M859115	
MNY03G	φ 0.4	10	φ 3.6	SUS	M859116	

For quantities not displayed here, refer to our MISUMI website for more information.

■ Round/Square Type

Applicable models	Size (mm)			Material	Part Number	Unit Price
	a	b	O/D			1-9 pcs
MN3/MN5	φ 0.45	13	φ 3.7	SWP-B	M859100	Quotation
MN7	φ 0.7	16.6	φ 5.1	SWP-B	M859101	
MN10L/MN20	φ 0.7	22.5	φ 5.6	SWP-B	M859102	
MN30AS	φ 1.0	24	φ 8.0	SWP-B	M859103	
MN30	φ 1.0	28	φ 8.0	SWP-B	M859104	

For quantities not displayed here, refer to our MISUMI website for more information.



Order

Part Number

M859110  
M859100



Days to Ship

Quotation



Price

Quotation