

# SLIDE TYPE AIR NIPPERS

-HORIZONTAL SLIDE TYPE / HORIZONTAL DOUBLE ACTING SLIDE TYPE- **Blade sold separately**

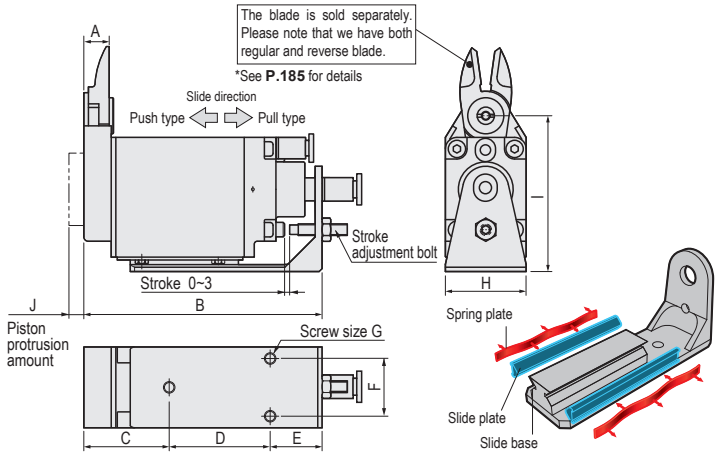
shows in red

## Horizontal Slide Base Type



ⓘ The blade is sold separately. Note that there are a regular blade and a reverse blade.

MGT-NY□□G (Pull type)  
MGT-NY□□GR (Push type)



Cutting capacity φ (mm)		Air consumption (cm <sup>3</sup> /time)	Weight (g)	Slide type	Part dimensions (mm)										Tube Outer × Inner	Part Number	Unit Price 1-9 pcs
Soft resin	Hard resin				A	B	C	D	E	F	G	H	I	J			
2.0	1.3	37	160	Pull	8.6	74.5	29.5	30	15	*	M4	19	46.5	0	4 × 2.5	MGT-NY03G	Quotation
				Push	8.8	82.6	29.6	35	18	20	M4	28	54	5		MGT-NY03GR	
3.5	2.3	68	275	Pull	8.8	82.6	29.6	35	18	20	M4	28	54	5		MGT-NY10G	
				Push	8.8	82.6	29.6	35	18	20	M4	28	54	5		MGT-NY10GR	

\* Operating air pressure: 0.4-0.5 MPa

\*MGT-NY03G(R) uses 2 screws to mount

ⓘ For quantities not displayed here, refer to our MISUMI website for more information.



Order

Part Number  
MGT-NY03G



Days to Ship

Quotation



Price

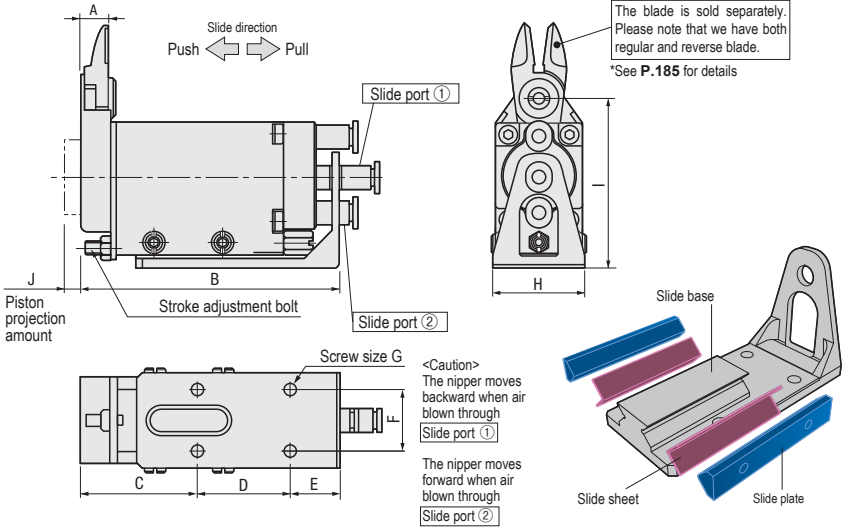
Quotation

## Horizontal Double Acting Slide Type



ⓘ The blade is sold separately. Note that there are a regular blade and a reverse blade.

MGT-NY10S



Capacity φ (mm)		Air consumption (cm <sup>3</sup> /time)	Weight (g)	Slide type/stroke (mm)	Part dimension (mm)										Tube Outer × Inner	Hose Port	Part Number	Unit Price 1-9 pcs
Soft resin	Hard resin				A	B	C	D	E	F	G	H	I	J				
3.5	2.3	68.0	300.0	Double acting 0-3.5	8.8	84.5	38.0	30.0	16.5	20.0	M4	32.0	55.0	5.0	4 × 2.5	Tube fitting	MGT-NY10S	Quotation
5.0	3.4	184.0	695.0	Double acting 0-5	12.5	106.5	47.0	40.0	19.5	30.0	M5	47.0	72.0	2.0	6 × 4		MGT-NY25S	

\* Operating air pressure: 0.4-0.5 MPa (only MGT-NY25S : 0.5-0.6 MPa)

ⓘ For quantities not displayed here, refer to our MISUMI website for more information.



Order

Part Number  
MGT-NY10S



Days to Ship

Quotation



Price

Quotation