

# GUIDE FOR SWIVEL LIFTING EYE BOLTS

# SWIVEL LIFTING EYE BOLTS

ⓘ Non JIS material definition is listed on P.1351 - 1352

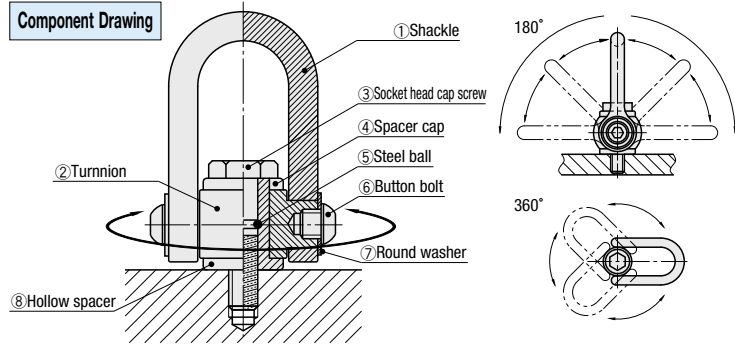
## Features

- Swivel Lifting Eye Bolt is available to rotate 360° against the heavy lift shaft. Also, available to rotate 180° against the lifting direction.
- Can safely use Swivel Lifting Eye Bolt even when the lifting work from side direction, beveled direction or under tensile condition which are dangerous with the conventional eye bolt of CHI.
- Compared with CHI, Swivel Lifting Eye Bolt has approx. three times allowance load with same bolt size. Available to use at small place by changing screw diameter M and outer dimension W smaller. ⓘ Refer to right table

## Comparison on maximum allowance load

Bolt size	Maximum allowance load N (kgf)	
	Eyebolts (CHI)	Swivel eyebolts (SLEB)
M 8	785 (80)	2940 (300)
M10	1471 (150)	4900 (500)
M12	2157 (220)	7850 (800)
M16	4413 (450)	15690 (1600)
M20	6178 (630)	24520 (2500)
M24	9316 (950)	35300 (3600)
M30	14710 (1500)	56870 (5800)
M36	22555 (2300)	78450 (8000)
M42	33342 (3400)	98060 (10000)

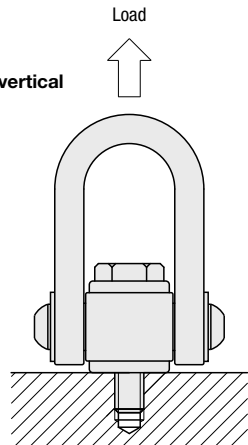
## Component Drawing



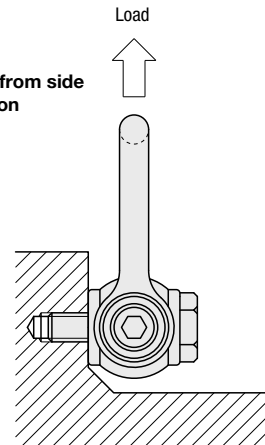
No.	Item name	Ⓜ	Ⓜ	Ⓢ
①	Shackle	SCM435	28~33HRC	Coating painting
②	Turnnion	SCM435	28~33HRC	Coating painting
③	Socket head cap screw	SCM435	32~39HRC Strength rank: 10.9	Black oxide film
④	Spacer cap	S45C	24~28HRC	Trivalent Chromate
⑤	Steel ball	SUJ2	60~62HRC	—
⑥	Button bolt	SCM435	39~45HRC	Black oxide film
⑦	Round washer	SS400	—	Parkerizing
⑧	Hollow spacer	S45C	24~28HRC	Trivalent Chromate

## Mounting Examples

### Lifting from vertical direction



### Lifting from side direction



ⓘ For burning prevention, wipe off the screw part from the dirt and dust and install after lubrication if possible.

## Notes

### Guide for installation

- Sit flange on the wider surface area than swivel lifting eye bolt and fasten bolts with right torque.
- ⓘ Note: Refer to right table on fastening torque indication.
- After installing swivel lifting eye bolt, need to verify if the shackle moves at 360° against the lift shaft and 180° against the lifting direction.

### Guide for lifting work

- As the shackle is designed for longitudinal load, do not directly hook larger bolt than inner diameter of the shackle.
- When using two or more eye bolts, need attention on the loading displacement to single eye bolt depending on the lift angle.
- This item has rotating function for changing lifting direction, however, do NOT continuously rotate eye bolt in loading condition.
- Sudden lifting work is dangerous. Lift carefully with slow in lifting speed. (Impact shock may be a cause of bolt or other parts damage)

### Guide for maintenance

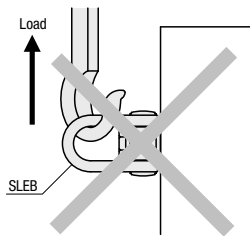
- Make regular check-up on the change in shape and cracking according to the load working condition and operation frequency.
- ⓘ Note: Use at ordinary temperature below 40°C.



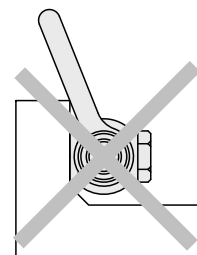
### Caution

Strict prohibition

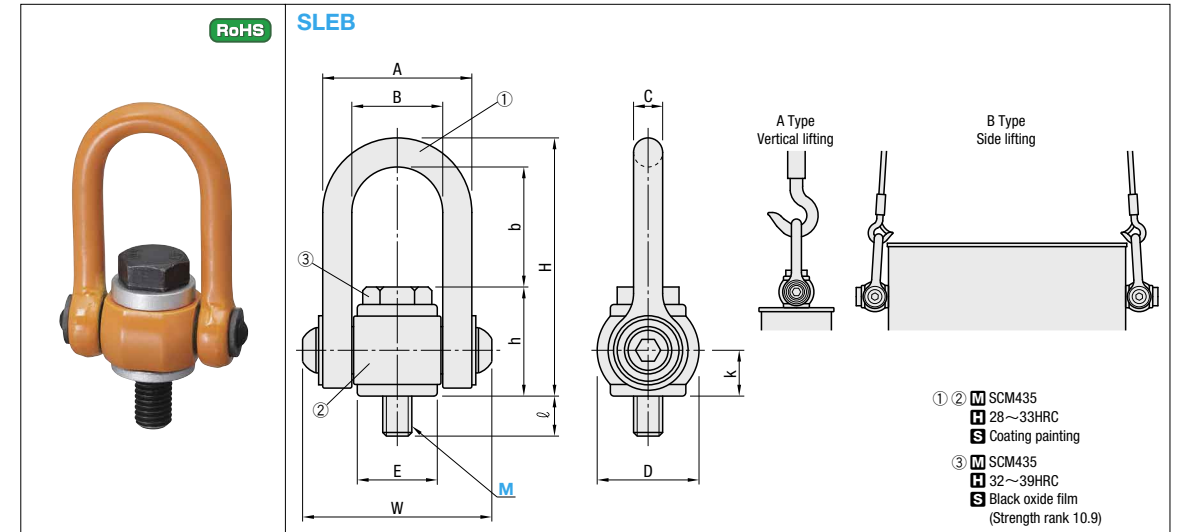
- ⊗ Do not hook in side load against the shackle



- ⊗ Make sure not to contact the lifting material and the shackle.



- ⊗ Absolutely refrain from installing thick washer in between eye bolt flange and lifting material due to sharp decline in allowable lifting load.



M×P (Coarse thread)	A	B	C	D	ℓ	b	h	H	E	W	k	③ Socket head cap screw side	Indication of fastening torque for Socket head cap screw (N·m)	Mass (kg)	Comparison on maximum allowance load N {kgf}		Part Number	U/Price		
															A: Vertical lifting (Single bolt use)	B: Side lifting (Two bolts use)			Type	M
M 8×1.25	41	25	8	28	11	33	30	71	M8	24	50	9.7	13	7.8~14.7	0.18	2940 {300}	2940 {300}	SLEB	8 10 12 16 20 24 30 36 42	Quotation
M10×1.5	50	30	10	32	16	32	31	88	M10	29	62	12.7	17	9.8~24.5	0.19	4900 {500}	4900 {500}			
M12×1.75	65	37	14	42	21	40	38	109	M12	36	79	15	19	14.7~39.2	0.35	7850 {800}	7850 {800}			
M16×2.0	83	47	18	50	27	47	48	135	M16	45	100	21	24	39.2~98.1	0.75	15690 {1600}	15690 {1600}			
M20×2.5	102	58	22	60	31	60	57	176	M20	56	121	24	30	68.7~147.2	1.38	24520 {2500}	24520 {2500}			
M24×3.0	128	72	28	75	37	72	63	197	M24	66	142	28	36	98.1~245.3	2.38	35300 {3600}	35300 {3600}			
M30×3.5	154	90	32	90	43	90	79	235	M30	77	150	30	46	117.7~343.4	4.90	56870 {5800}	56870 {5800}			
M36×4.0	176	104	36	105	47	109	91	275	M36	85	176	34	55	147.2~490.5	7.60	78450 {8000}	78450 {8000}			
M42×4.5	176	104	36	105	67	130	109	275	M42	100	200	42	65	176.6~588.6	11.80	98060 {10000}	98060 {10000}			



Order

Part Number

SLEB12



Days to Ship

Quotation