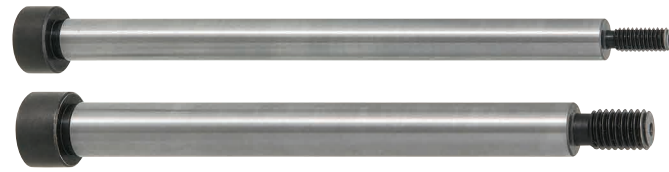
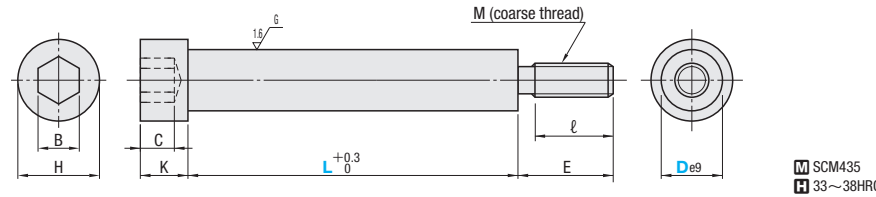


PULLER BOLTS

— MALE SCREW TIP SHORT TYPE • TIP SHORT REINFORCED TYPE —



PBTKS (Tip short • reinforced type)
PBTXS (Tip short type)



C	K		H	B	E		M		ℓ(Reference)		Part Number		L	U/Price 1~9			
	PBTKS	PBTXS			PBTKS	PBTXS	PBTKS	PBTXS	PBTKS	PBTXS	Type	D		PBTKS	PBTXS		
4	8		16	6	15		M8	M6	12	12.5			10	100	110	120	
													13	100	110	120	
4	10	8	18	8	19		M10	M8	15	16			13	130	140	150	
													16	160	170	180	
													20	190	200		
7	14	13	24	10	24	21	M12	M10	19	17			16	120			
													16	130	140	150	
													16	160	170	180	
													16	190	200		
													16	210	220	230	240
9	18	13	27	14	29	24	M16	M12	24	19			20	140	150		
													20	160	170	180	
													20	190	200		
													20	210	220		
10	19	18	33	17	34	30	M20	M16	28.5	24.5			25	170	180		
													25	200			
													25	220			
													25	240			
													25	260			

Order Part Number — L
PBTKS13 — 150

Price **Quotation**

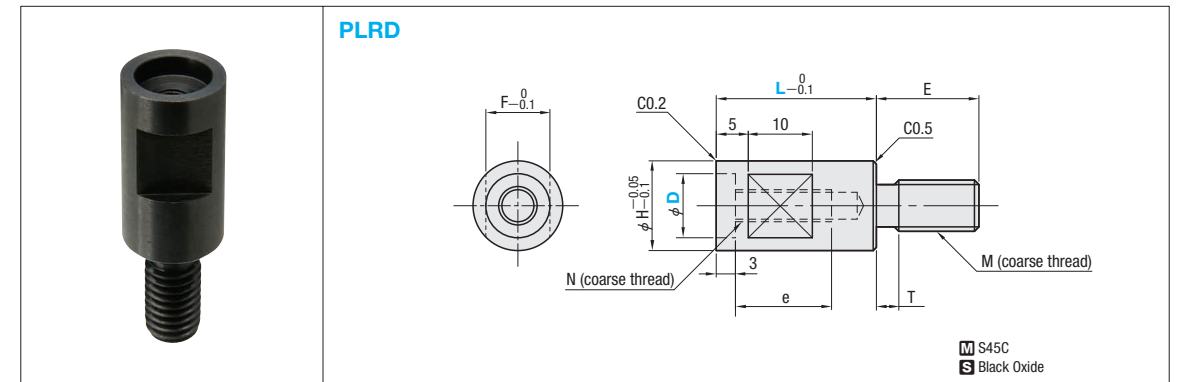
Days to Ship **Quotation**

Characteristics

- Shorter male screw can prevent male screw from protruding from the plate.
- PBTXS can be used together with female screw type (PBTN).

ACTUATOR RODS FOR PARTING LOCK

Non JIS material definition is listed on P.1351 - 1352

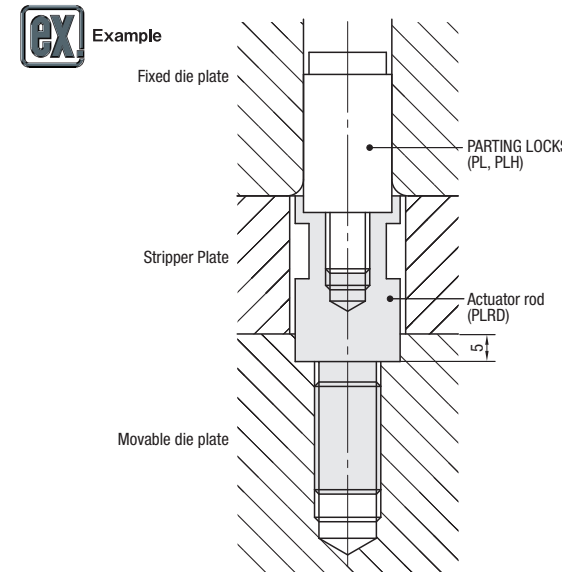


H	F	N	e	M	E	T (Reference)	Part Number		L						
							Type	D	10	13	16	20	25	30	35
13	10	M5	12	M8	12	2	PLRD	10	25	30	35	40	45	—	
16	12	M6	12	M10	15	2		13	25	30	35	40	45	—	
19	14	M8	15	M12	18	3		16	—	30	35	40	45	50	
23	19	M10	15	M16	20	3		20	—	30	35	40	45	50	

Order Part Number — L
PLRD13 — 30

Price **Quotation**

Days to Ship **Quotation**



Characteristics

- When the stripper plate was used, resin sleeve type (PL and PLH) could not control mold opening, however, use of actuator rod can now be controlled with the resin sleeve type.

Mounting

- To stabilize the actuator rod (PLRD), embed it to the movable die plate by at least 5mm.
- Adjust the actuator rod (PLRD) so that it does not come out of the stripper plate.
- The hole diameter of the stripper plate should be aimed at actuator rod (PLRD) external shape (H)+1mm.