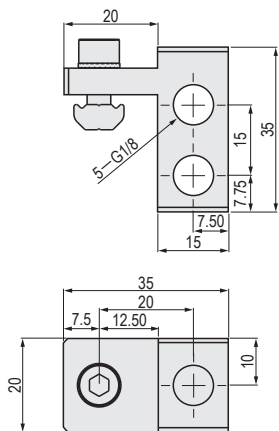


SIDE MANIFOLD BLOCK (WITH T-NUTS)

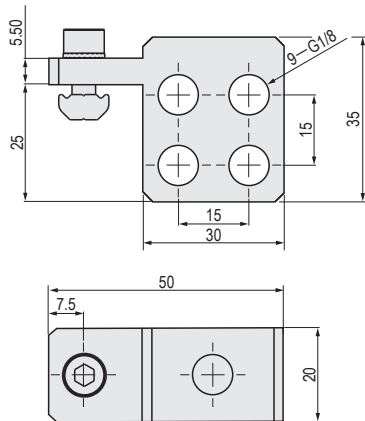


Single Channel Side Manifold Block (with T-Nuts)

MSMB1—5

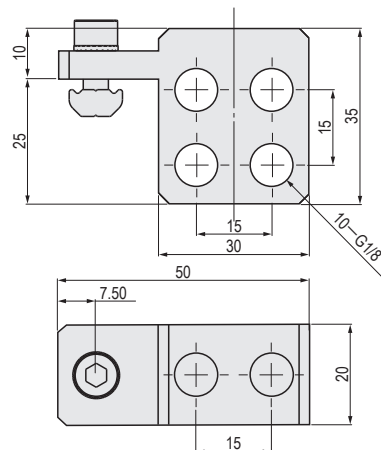


MSMB1—9



Dual Channel Side Manifold Block (with T-Nuts)

MSMB2—5



- ① This product is used together with the profile grip and its components. Note that it may not be compatible to assemble with other products.
- ② When tightening, the gap is controlled to be less than 1 mm.
- ③ The surface is anodized, and the color of the actual product may vary from the product picture.

M Material	S Surface treatment
Aluminum product	Anodizing

Part Number		No.	Thread size	Weight (g)	Type of T-Nuts
Type	No. of channel				
MSMB	1	5	G1/8"	30	MPTN5
		9		50	MPTN5
	2	5		48	MPTN5



Order

Part Number — No.
MSMB1 — 5



Example



Days to Ship

Quotation



Price

Quotation

