
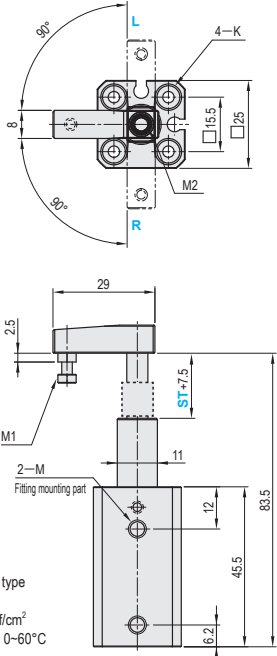


# ROTARY CLAMP CYLINDER / SENSOR

**RoHS 10**



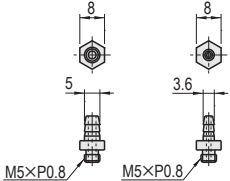
**RCC-CHSC12**



**Basic Specifications**

- Actuation type: Double acting type
- Operating fluid: Air
- Operating pressure: 1.5~9 kgf/cm<sup>2</sup>
- Operating temperature range: 0~60°C

**A Accessories (included)**



K			M	M1	M2	Cylinder internal dia.	Weight (g)*1	Included fitting	Applicable sensor	Part Number		Stroke ST	Rotation direction	Unit Price 1~30 pcs
Through hole	Tapping screw	Counterbored hole								Type	No.			
3.5	M4xP0.7x7dp	φ 6.5x4dp	M5xP0.8	M3xP0.5	M3xP0.5	12	100	Pipe fitting: 2 pcs Applicable tube 6x4, 4x2.5	CS-CHCSM9	<b>RCC-CHSC</b>	12	10	L R	Quotation

\*1 The weight is an approximate value which serves only as a guideline.

For quantities not displayed here, refer to our MISUMI website for more information.  
The distance drop by 7 mm while rotating and 10 mm vertically (= stroke).

 Order

**Part Number**  
RCC-CHSC12

**Stroke ST**  
10

**Rotation direction**  
L


 Days to Ship

**Quotation**

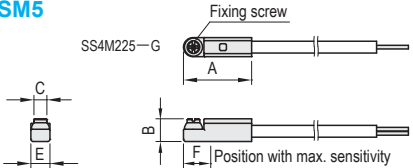
**P** Price

**Quotation**

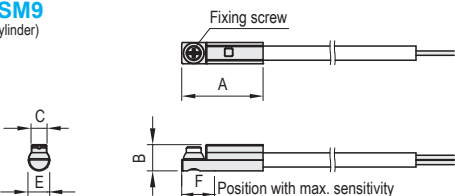
**RoHS 10**



**CS-CHCSM5**  
(For parallel chuck)



**CS-CHCSM9**  
(For rotary clamp cylinder)



Applicable product	Load voltage	Load current	Sensor type	Number of wires	Leads takeout direction	Cable length L	A	B	C	E	F	Weight (g)*1	Part Number		Unit Price 1~30 pcs
							Type	No.							
HC-CHHDL	DC 10~28V	4~20mA	Contactless	2-wire Brown (+) Blue (-)	Backward	2 m	15	5	2.9	4.3	6	3	<b>CS-CHCSM</b>	5	Quotation
RCC-CHSCL							22.9	4.8	2.9	3.9	11.5			9	

\*1 The weight is an approximate value which serves only as a guideline.

For quantities not displayed here, refer to our MISUMI website for more information.

 Order

**Part Number**  
CS-CHCSM5

 Days to Ship

**Quotation**

**P** Price

**Quotation**

REMOVAL RELATED PRODUCTS