
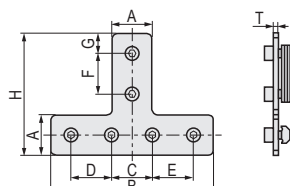

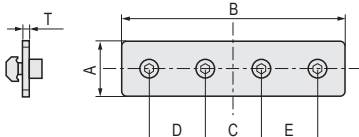

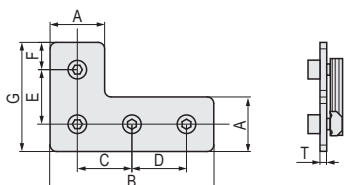



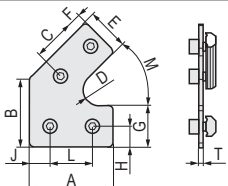


FIXING PLATE

<p>■ T-type Fixing Plate</p>  <table border="1"> <tr> <td>M Material</td> <td>S Surface treatment</td> </tr> <tr> <td>Iron product</td> <td>Surface plating</td> </tr> </table>	M Material	S Surface treatment	Iron product	Surface plating	<p>MSFP—T2550 MSFP—T25100 MSFP—T40120</p> 
M Material	S Surface treatment				
Iron product	Surface plating				
<p>■ Straight Fixing Plate</p>  <table border="1"> <tr> <td>M Material</td> <td>S Surface treatment</td> </tr> <tr> <td>Iron product</td> <td>Surface plating</td> </tr> </table>	M Material	S Surface treatment	Iron product	Surface plating	<p>MSFP—S2550 MSFP—S25100 MSFP—S40160</p> 
M Material	S Surface treatment				
Iron product	Surface plating				
<p>■ L-type Fixing Plate</p>  <table border="1"> <tr> <td>M Material</td> <td>S Surface treatment</td> </tr> <tr> <td>Iron product</td> <td>Surface plating</td> </tr> </table>	M Material	S Surface treatment	Iron product	Surface plating	<p>MSFP—L2550 MSFP—L2575 MSFP—L40120</p> 
M Material	S Surface treatment				
Iron product	Surface plating				
<p>■ Fixing Plate with Adjustable Angle</p>  <table border="1"> <tr> <td>M Material</td> <td>S Surface treatment</td> </tr> <tr> <td>Iron product</td> <td>Surface plating</td> </tr> </table>	M Material	S Surface treatment	Iron product	Surface plating	<p>MSFP—A50</p> <p>MSFP—A60 MSFP—A70 MSFP—A90</p> 
M Material	S Surface treatment				
Iron product	Surface plating				
<p>■ 45° Fixing Plate</p>  <table border="1"> <tr> <td>M Material</td> <td>S Surface treatment</td> </tr> <tr> <td>Iron product</td> <td>Surface plating</td> </tr> </table>	M Material	S Surface treatment	Iron product	Surface plating	<p>MSFP—V45</p> 
M Material	S Surface treatment				
Iron product	Surface plating				

Part Number Type	No.	A	B	C	D	E	F	G	H	J	L	M	T	Weight (g)
		T2550	25	50	25	-	-	25	12.5	75	-	-		
T25100	25	100	25	25	25	25	12.5	75	-	-	-	-	145	
T40120	40	120	90	-	-	40	15	110	-	-	-	-	250	
S2550	25	50	25	-	-	-	-	-	-	-	-	-	45	
S25100	25	100	25	25	25	-	-	-	-	-	-	-	95	
S40160	40	160	40	40	40	-	-	-	-	-	-	-	195	
L2550	25	50	25	-	25	12.5	50	-	-	-	-	-	70	
L2575	25	75	25	25	25	12.5	50	-	-	-	-	-	95	
L40120	40	120	40	40	40	20	80	-	-	-	-	-	200	
A50	80	50	55	25	25	30	12.5	12.5	25	-	-	45°	115	
A60	60	85	40	10	40	12.5	76		-	25	30°	-	130	
A70	70	100	50	10	40	20	90	20	-	40	27°	-	175	
A90	90	95	60	15	50	12.5	86	12.5	-	25	30°	-	215	
V45	50	40	25	R9	25	8	25		-	12.5	25	45°	-	100



Order

Part Number
MSFP—A50

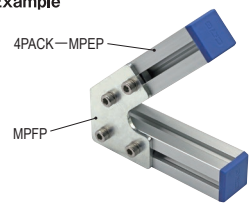


Price

Quotation



Example



Days to Ship

Quotation

REMOVAL RELATED PRODUCTS