

Note that, for some of the types shown here, order might be unable to be received by the MISUMI Malaysia, and/or Indonesia offices.



Contact Probes, Receptacles

Minimum Mounting Pitch 1.27mm Series

Compared to Similar Products 82% Off Max.

Similar Component Page P.1921

Comparison Points with Similar Products | Replacement Cycle (Reference) : 40,000 times Convenient package sale is available at a low price.

Contact Probe
Sold by the package (50 pcs./pkg.)



Receptacle
Sold by the package (50 pcs./pkg.)



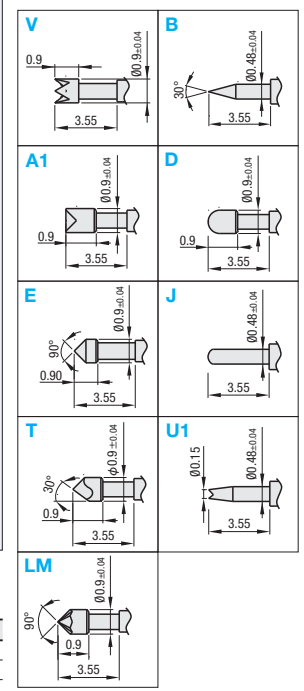
Contact Probes

Part	Material	Surface Treatment
(1) Plunger	SK4	Gold Plating on Nickel Undercoat
(2) Barrel	Phosphor Bronze	Gold Plating on Nickel Undercoat
(3) Spring	SUS304	-

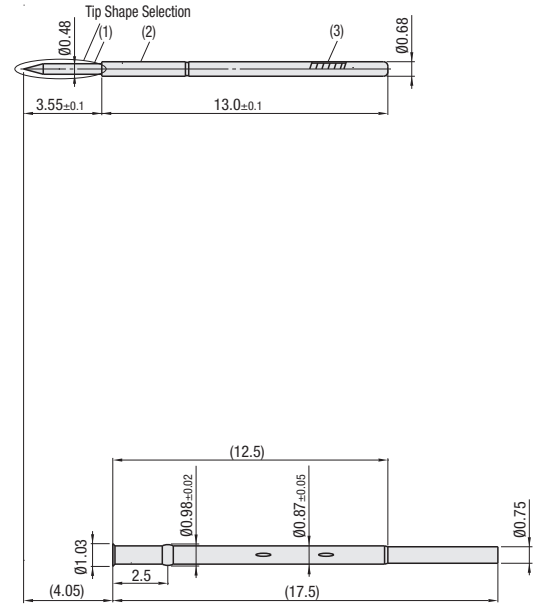
Receptacles

Material	Surface Treatment
Brass	Gold Plating on Nickel Undercoat

NPT0 : Contact Probe



NRT0W : Receptacle



Contact Probe

Part Number	Tip Shape	Mounting Pitch (mm)	Full Stroke	Spring Pressure 2/3 Stroke	Allowable Current	Resistance	Replacement Cycle (Reference)	Unit Price (50 pcs./pkg.)
NPT 0	V, B, A1, D, E, J, T, U1, LM	1.27mm	2.6mm	56gf	3.0A	50mΩ	40,000 times	

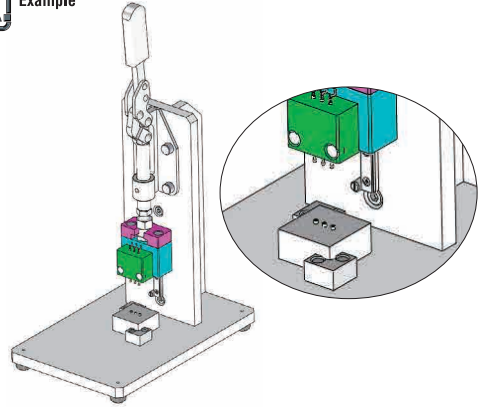
Receptacle

Part Number	Matching Contact Probe	Mounting Hole for Press-Fitting Dimension (Reference)	Lead Wire Length	Lead Wire	Unit Price (50 pcs./pkg.)
NRT 0 W	NPT0	Ø0.95mm	860mm	Ø0.48	

Ordering Example: Part Number (Type, No.) - Tip Shape
NPT0 - **D**
NRT0W



Manual Continuity Inspection based on Toggle Clamp



Continuity Inspection based on Cylinders with Guide

