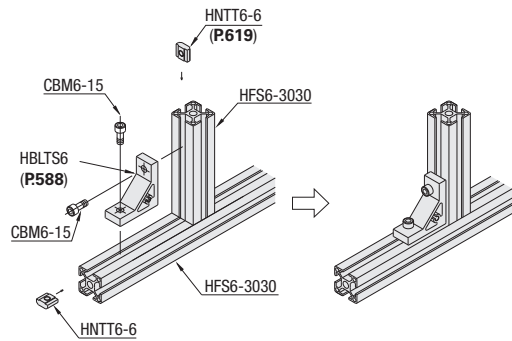


Aluminum Extrusion Assembly Examples

Example of Extrusion Connection

Connection with Thick Bracket



Blind Bracket Connections

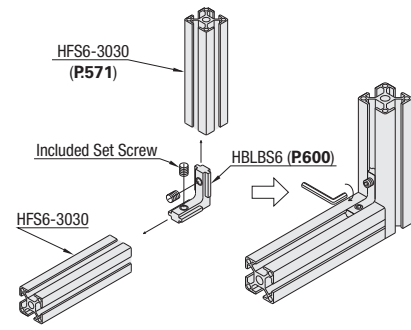
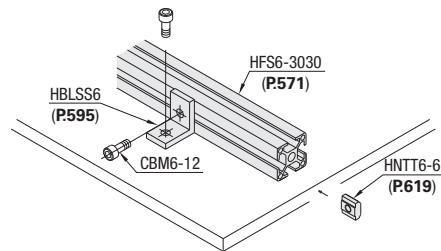
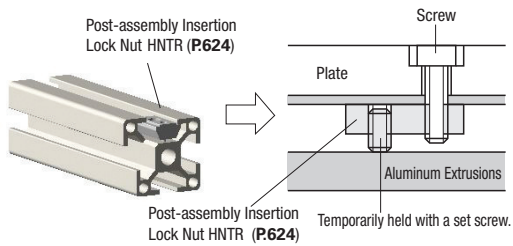


Plate on Extrusion Mounting

Thin Bracket Connections

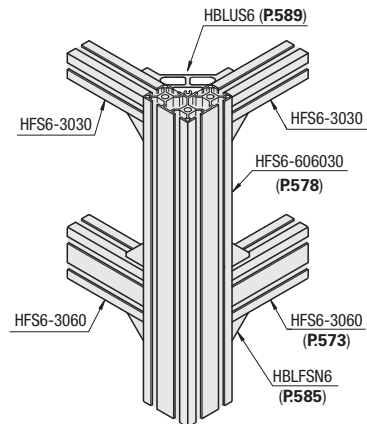


Post Assy. Ins. Locknut Connections

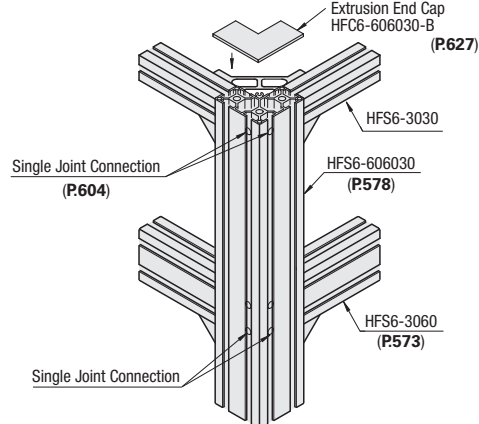


L-Shaped Extrusions App. Example

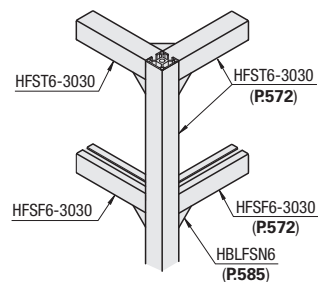
Bracket Connections



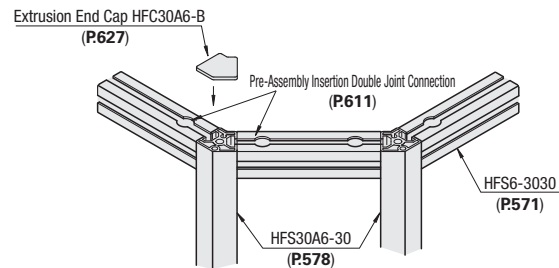
Single Joint Connections



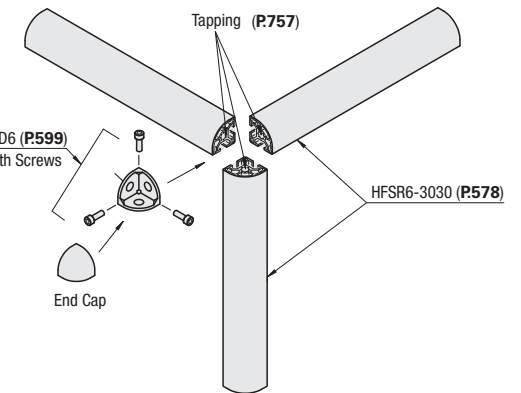
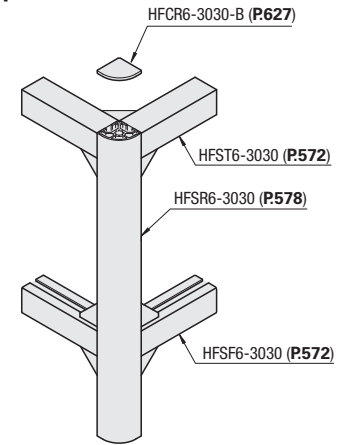
2 and 3 Smooth-Sided Extrusions App. Example



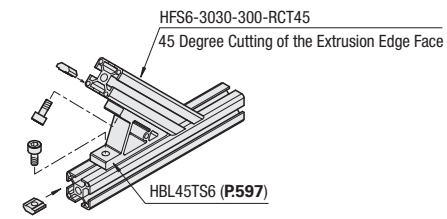
Angled Extrusions App. Example



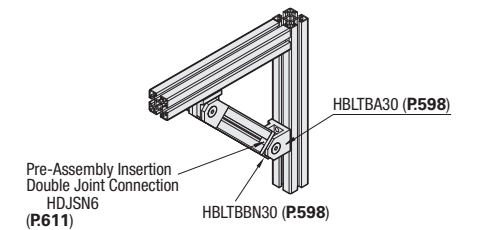
App. Example: R Extrusion



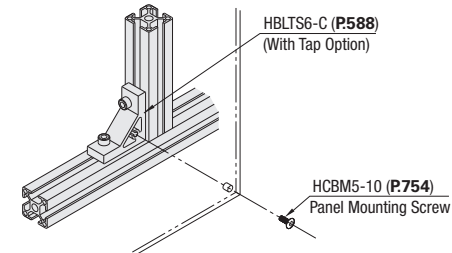
Example: 45 Degree Angle Bracket



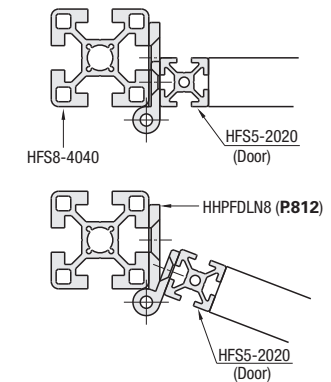
App. Example: Free Angle Brackets



Cover Mounting on the Bracket



Connecting Unequal Size Extrusions with Flag Hinges



Sliding Rail Mounting Dimensions

