


Welded Thin-Walled Hollow Tubes / Drawn Hollow Tubes

Material: SUS304 / Carbon steel, C2700, A6063

Thin-Walled Ground Stainless Steel Hollow Tubes / Thin-Walled Ground Stainless Steel Hollow Tubes

Precision I.D. / O.D.

Welded Thin-Walled Hollow Tubes



RoHS 10

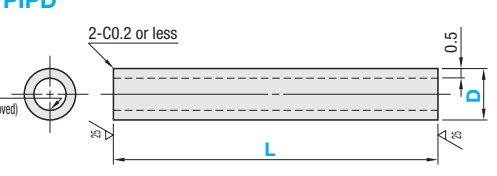
Type	Hollow Tube Type	Material
PIPD	Welded Tube	SUS304
PIPC	Drawn Hollow Tube	Carbon steel
PIPG		C2700 (Brass)
PIPA		A6063

PIPA is an extruded material when D≥10.
The material used for PIPC varies according to the diameter. (See the table below)

Material	Mfg. Method	D
STKM13A	Hot drawn material	D5, D13
STKM13C	Cold drawn material	D16, D20
OST-2		D6, D8, D10, D12, D15, D25, D30

D Tolerance		L Tolerance	
D	PIPC / PIPG / PIPD	or More	Less Tolerance
2-6	±0.1	±0.1	±0.2
8-30	±0.2	±0.4	±0.5
		401	±0.8

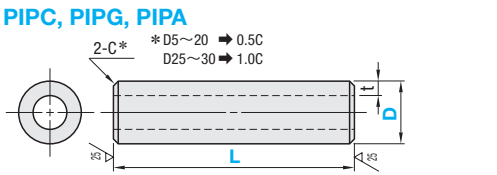
PIPD



2-C0.2 or less

Seam (Weld bead removed)

PIPC, PIPG, PIPA



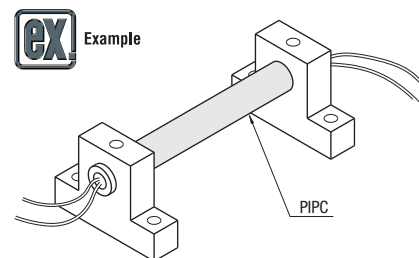
2-C*

* D5~20 → 0.5C
D25~30 → 1.0C


For maximum L dimension in each D dimension, refer to the specification table.

Part Number	Type	D	L 1mm increment	t	Unit Price					
					L10~100	L101~200	L201~400	L401~600	L601~800	L801~1000
PIPD (SUS304)		2	10~1000	0.5						
		3								
		4								
		5								
		6								
		8								
		10								
		12								
		15								
		16								
		20								
		25								
30										
PIPC (Carbon steel)		5	10~250	1						
		6								
		8								
		10								
		12								
		13								
		15								
		16								
		20								
		25								
30										
PIPG (C2700)		5	10~250	1						
		6								
		8								
		10								
		12								
		13								
		15								
		20								
		25								
		30								
PIPA (A6063)		5	10~250	1						
		6								
		8								
		10								
		12								
		13								
		15								
		16								
		20								
		25								
30										

Ordering Example: Part Number - L
PIPC8 - 450



Thin-Walled Ground Stainless Steel Hollow Tubes

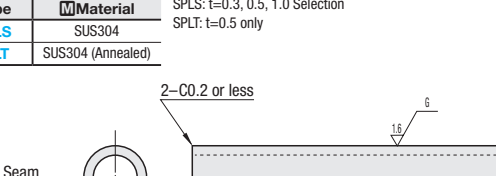


RoHS 10

Type	Material
SPLS	SUS304
SPLT	SUS304 (Annealed)

SPLS: t=0.3, 0.5, 1.0 Selection
SPLT: t=0.5 only

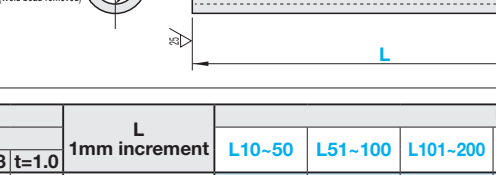
SPLS



2-C0.2 or less

Seam (Weld bead removed)

SPLT



2-C0.2 or less

L Dimension Tolerance or More or Less Tolerance		
10	30	±0.2
31	120	±0.3
121	400	±0.5
401	1000	±0.8

D Dimension Tolerance or More or Less Tolerance		
2	12	0
		-0.05
15	30	0
		-0.1

Part Number	Type	D		L 1mm increment	Unit Price							
		t=0.5	t=0.3		L10~50	L51~100	L101~200	L201~400	L401~600	L601~800	L801~1000	
SPLS		2	2A	10~1000								
		3	3A									
		4	4A		4B							
		5	5A		5B							
		6	6A		6B							
		8	8A		8B							
		10			10B							
		12										
		15										
		16										
		20										
		25										
30												
SPLT		2		10~1000								
		3										
		4										
		5										
		6										
		8										
		10										
		12										
		15										
		16										
		20										
		25										
30												

For SPLT, t=0.5 only.


Ordering Example: Part Number - L
SPLS2A - 500
SPLT4 - 500

EX Example

[Product Applications]
Roll Shafts for Photocopiers
Antenna
For heating
For plumbing
Injection Nozzle
Ornamental Piping, etc.

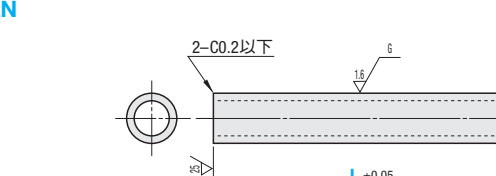
SPLS is a Straight Type and can be used for injecting or other purposes. Annealed material (180 to 220HV) is adopted so that SPLT can be bent to fit the above applications.

Precision I.D./O.D.



RoHS 10

SPLN



2-C0.2以下

L ±0.05

D and d Dimension Tolerance	
D	(d)
0.5~2.0	±0.01
2.5~5.0	±0.02

Part Number	Type	D	L 1mm increment	(d)	Unit Price		
					L10~50	L51~100	L101~200
SPLN		0.5	10~200	0.34			
		1		0.7			
		1.5		1.1			
		2		1.6			
		2.5		2.1			
		3		2.6			
		3.5		3.1			
		4		3.6			
		4.5		4.1			
		5		4.6			

Ordering Example: Part Number - L
SPLN2 - 100