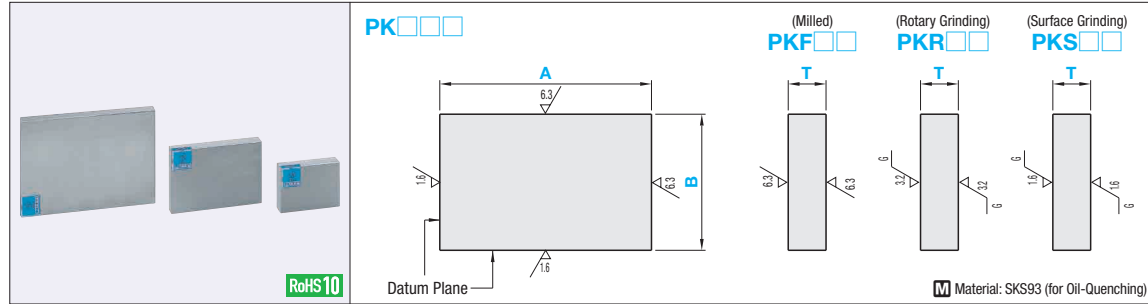
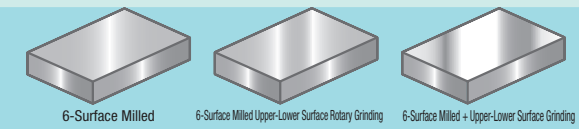


Configurable Plates (For Oil-Quenching) - SKS93

SK3 Equivalent



(Ex.) For PKFQM-120-120-24

A Dimension x Area Unit Price = Price

Part Number		0.5mm Increment			
Type	Upper-Lower Surface Finish	① Plate Thickness Tolerance	② A, B Dimension Tolerance		T
			A	B	
			A≥B		
PK	F (Milled) R (Rotary Grinding) S (Surface Grinding)	H P Q N M			
			20~500	20~300	5~35

① Plate Thickness Tolerance

Upper-Lower Surface Finish	H	P	Q	N	M
F (Milled)	+0.3~+0.5	+0.1~+0.3	0~+0.2	±0.1	-0.2~0
R (Rotary Grinding)	+0.3~+0.5	+0.1~+0.3	0~+0.2	±0.1	-0.2~0
S (Surface Grinding)	+0.2~+0.3	+0.1~+0.2	0~+0.1	±0.05	-0.1~0

② A, B Dimension Tolerance

Upper-Lower Surface Finish	A, B Dimension	P	Q	N	M
F (Milled) R (Rotary Grinding) S (Surface Grinding)	250mm or Less	+0.1~+0.3	0~+0.2	±0.1	-0.2~0
	250.5mm or More	+0.1~+0.6	0~+0.5	±0.25	-0.5~0

Precision Standards

Item	Upper-Lower Surface Finish (Max. Value)		
	F	R	S
Thickness Parallelism (per 100mm)	0.05	0.012	0.012
Flatness (per 100mm)	T5~7.5	0.1	0.05
	T8~15.5	0.07	0.03
	T16~25.5	0.05	0.015
	T26~35	0.05	0.012
Perpendicularity of Datum Plane	0.015 per 100mm		
Circumference Chamfering	C0.2~C0.5		



Alterations Part Number - A - B - T -(CSC, CBC, CCA...etc.)
PKRNM - 300 - 280 - 20 - CSC

Alterations	Circumference Chamfering		Corner Cut
	CSC	CBC	CCA, CCB, CCC, CCD
Code	CSC	CBC	CCA, CCB, CCC, CCD
Spec.	Reduce the circumference chamfering dimension. Standard C0.2 ~ C0.5 → C0.1 or Less	Increase the circumference chamfering dimension. Standard C0.2 ~ C0.5 → C0.5~C1.0	Cuts any corners. 1≤ Corner Cut ≤50: 1mm Increment C = $\frac{A}{2} - \frac{B}{2}$ Ordering Code (Ex.) When the corners of A and D are cut by C5, → CCA5-CCD5

Part Number	A	B	T	5-7	7.5-9	9.5-11	11.5-13	13.5-16	16.5-20	20.5-22	22.5-25	25.5-28	28.5-30	30.5-35
PKF	20 ~ 50	20-25	20-25											
	50.5-75													
	75.5-100													
	100.5-250													
	25.5-50													
	50.5-75	25.5-40	25.5-40											
	75.5-100													
	100.5-200													
	200.5-500													
	40.5-50													
	50.5-75	40.5-60	40.5-60											
	75.5-100													
	100.5-200													
	200.5-500													
	60.5-75													
	75.5-100	60.5-80	60.5-80											
	100.5-200													
	200.5-500													
	80.5-100													
	100.5-200			80.5-100	80.5-100									
200.5-500														
100.5-125														
125.5-200														
125.5-200	100.5-125	100.5-125												
200.5-500														
150.5-200														
200.5-500														
160.5-200			125.5-150	125.5-150										
200.5-500														
150.5-200														
200.5-500														
160.5-200	150.5-160	150.5-160												
200.5-500														
200.5-500														
200.5-500														
200.5-500			160.5-200	160.5-200										
200.5-500														
200.5-500														
200.5-500														
200.5-500	200.5-250	200.5-250												
200.5-500														
200.5-500														
200.5-500														
200.5-500			250.5-300	250.5-300										
200.5-500														
200.5-500														
200.5-500														
200.5-500														

Part Number	A	B	T	5-7	7.5-9	9.5-11	11.5-13	13.5-16	16.5-20	20.5-22	22.5-25	25.5-28	28.5-30	30.5-35
PKR	20 ~ 50	20-25	20-25											
	50.5-75													
	75.5-100													
	100.5-250													
	25.5-50													
	50.5-75	25.5-40	25.5-40											
	75.5-100													
	100.5-200													
	200.5-500													
	40.5-50													
	50.5-75	40.5-60	40.5-60											
	75.5-100													
	100.5-200													
	200.5-500													
	60.5-75													
	75.5-100	60.5-80	60.5-80											
	100.5-200													
	200.5-500													
	80.5-100													
	100.5-200			80.5-100	80.5-100									
200.5-500														
100.5-125														
125.5-200														
125.5-200	100.5-125	100.5-125												
200.5-500														
150.5-200														
200.5-500														
160.5-200			125.5-150	125.5-150										
200.5-500														
150.5-200														
200.5-500														
160.5-200	150.5-160	150.5-160												
200.5-500														
200.5-500														
200.5-500														
200.5-500			160.5-200	160.5-200										
200.5-500														
200.5-500														
200.5-500														
200.5-500	200.5-250	200.5-250												
200.5-500														
200.5-500														
200.5-500														
200.5-500			250.5-300	250.5-300										
200.5-500														
200.5-500														
200.5-500														
200.5-500														

Part Number	A	B	T	5-7	7.5-9	9.5-11	11.5-13	13.5-16	16.5-20	20.5-22	22.5-25	25.5-28	28.5-30	30.5-35
PKS	20 ~ 50	20-25	20-25											
	50.5-75													
	75.5-100													
	100.5-250													
	25.5-50													
	50.5-75	25.5-40	25.5-40											
	75.5-100													
	100.5-200													
	200.5-500													
	40.5-50													
	50.5-75	40.5-60	40.5-60											
	75.5-100													
	100.5-200													
	200.5-500													
	60.5-75													
	75.5-100	60.5-80	60.5-80											
	100.5-200													
	200.5-500													
	80.5-100													
	100.5-200			80.5-100	80.5-100									
200.5-500														
100.5-125														
125.5-200														
125.5-200	100.5-125	100.5-125												
200.5-500														
150.5-200														
200.5-500														
160.5-200			125.5-150	125.5-150										
200.5-500														
150.5-200														
200.5-500														
160.5-200	150.5-160	150.5-160												
200.5-500														
200.5-500														
200.5-500														
200.5-500			160.5-200	160.5-200										
200.5-500														
200.5-500														
200.5-500														
200.5-500	200.5-250	200.5-250												
200.5-500														
200.5-500														
200.5-500														
200.5-500			250.5-300	250.5-300										
200.5-500														
200.5-500														
200.5-500														
200.5-500														