


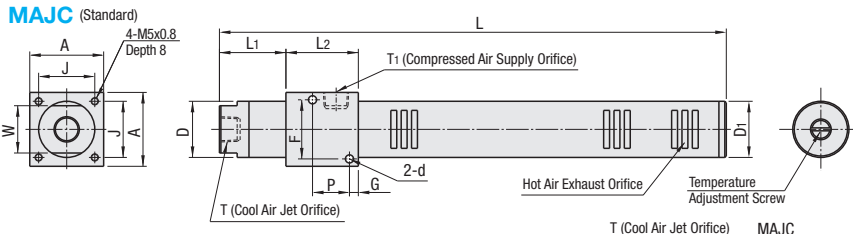
Jet Air Coolers

Standard, Compact Low Temperature, Adjusting Hose

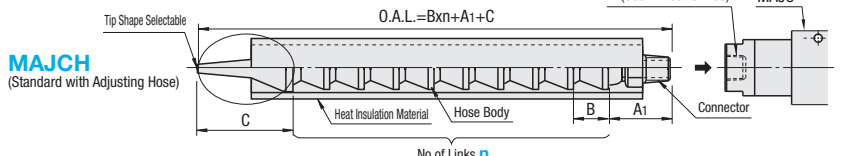
Instruction manual is available online:
<http://fa.misumi.jp/ht/>



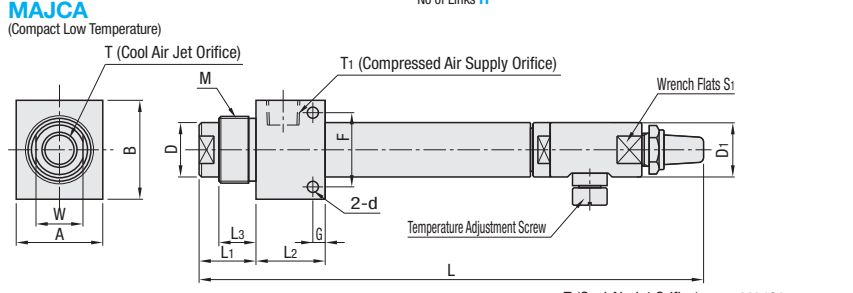
MAJC (Standard)



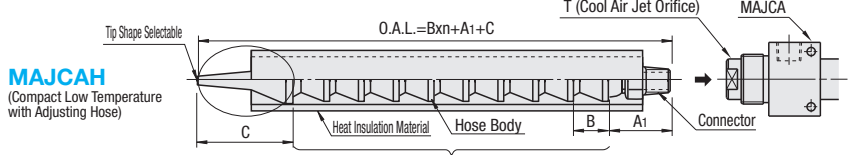
MAJCH (Standard with Adjusting Hose)



MAJCA (Compact Low Temperature)



MAJCAH (Compact Low Temperature with Adjusting Hose)



Heat Resistance Temperature
 Adjusting Hose : -20 ~ 80°C
 Heat Insulation Material : -50 ~ 120°C

Material
 Heater : MAJCA-A6063
 MAJCA-A6061
 Jet Orifice : Polyacetal (White)

Hose Body : Polyacetal (Blue)
 Connector, Tip Nozzle : Polyacetal (Orange)
 Heat Insulation Material : EPDM Synthetic Rubber

Hose Body and Connector Size

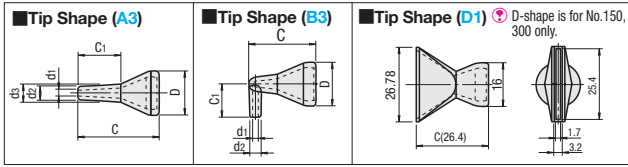
No.	D	A1	B	L1
150, 300	16	23	14.5	20.7
450, 600	24.5	28	17.0	30.0

Tip Shape Diameters

No.	A3					B3					
	C	C1	D	d1	d2	C	C1	D	d1	d2	
150, 300	35	25.5	16	6.3	9.6	11.0	26.3	12	16	6.3	9.0
450, 600	37.5	24.5	24.5	12.5	17.0	19.0	39.0	19.5	24.5	12.4	15.4

RoHS10

Tip Shape (A3) **Tip Shape (B3)** **Tip Shape (D1)** D-shape is for No.150, 300 only.

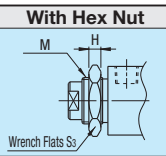
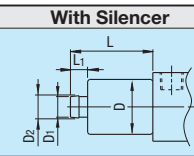


Part Number Type	No.	L	D1	L1	D	W	T Rc(PT)	L2	F	P	G	T1 Rc(PT)	d	A	B	M	J	L3	S1	Operating Pressure (MPa)	Pressure Resistance (MPa)	Weight (kg)	Unit Price
(Standard) MAJC	150	228	25	26	22	19	1/8	31	26	12	5	1/8	4.5	35	-	-	25	-	-	0.2~0.5	1.0	0.25	
	315	30	31	28	24	1/4	38	33	18	5	1/4	5.5	40	-	-	30	-	-			0.45		
	600	343	38	45	38	32	3/8	49	40	25	6	3/8	5.5	50	-	-	38	-	-			0.85	
(Compact Low Temperature) MAJCA	150	198	20	21	20	17	1/8	24	24	-	5	1/8	4.5	30	35	M24x1.5	-	13	18	0.3~0.7	1.0	0.2	
	300	204	22	23	22	19	1/4	28	30	-	5	1/4	4.5	35	40	M27x1.5	-	15	19			0.25	
	600	272	32	27	30	26	3/8	37	36	-	7	3/8	6.6	40	50	M33x1.5	-	15	27			0.55	

Part Number Type	No.	Link Number n Configurable	Tip Shape Selectable	Hose Body			Jet Cooler Unit Price	Connector Unit Price	Link Unit Price	Tip Shape Unit Price		
				Hose I.D.	D	B				L1	A3	B3
(Standard with Adjusting Hose) MAJCH	150	0~30	A3, B3, D1	1/4 inch	16	14.5	20.7					
	300		A3, B3	1/2 inch	24.5	17.0	30.0					
	600		A3, B3	1/2 inch	24.5	17.0	30.0					
(Compact Low Temperature with Adjusting Hose) MAJCAH	150	0~30	A3, B3, D1	1/4 inch	16	14.5	20.7					
	300		A3, B3	1/4 inch	16	14.5	20.7					
	600		A3, B3	1/2 inch	24.5	17.0	30.0					

Ordering Example: Part Number - Number of Links - Tip Shape
 MAJC150 - 10 - D1
 MAJCH300 - 10 - D1

Alterations Part Number - Number of Links - Tip Shape - (N · S)
 MAJCA150 - 11 - D1 - S
 MAJCAH150 - 11 - D1 - N

Alterations	With Hex Nut	With Silencer																																																	
																																																			
Code	N	S																																																	
Spec.	Hex nut is included. Ordering Code N Not applicable to MAJC and MAJCH.	A silencer is included. Ordering Code S Applicable to MAJCA (Compact Low Temperature) only.																																																	
	Dimension of a Hex Nut <table border="1"> <thead> <tr> <th>No.</th> <th>M</th> <th>H</th> <th>S2</th> </tr> </thead> <tbody> <tr> <td>150</td> <td>M24x1.5</td> <td>7</td> <td>32</td> </tr> <tr> <td>300</td> <td>M27x1.5</td> <td>7</td> <td>36</td> </tr> <tr> <td>450</td> <td>M33x1.5</td> <td>10</td> <td>46</td> </tr> <tr> <td>600</td> <td>M33x1.5</td> <td>10</td> <td>46</td> </tr> </tbody> </table>	No.	M	H	S2	150	M24x1.5	7	32	300	M27x1.5	7	36	450	M33x1.5	10	46	600	M33x1.5	10	46	Dimension of Silencer <table border="1"> <thead> <tr> <th>No.</th> <th>L</th> <th>L1</th> <th>D</th> <th>D1</th> <th>D2</th> </tr> </thead> <tbody> <tr> <td>150</td> <td>60</td> <td>10</td> <td>30</td> <td>10</td> <td>11</td> </tr> <tr> <td>300</td> <td>63</td> <td>10</td> <td>32</td> <td>12</td> <td>13</td> </tr> <tr> <td>450</td> <td>81</td> <td>15</td> <td>40</td> <td>14</td> <td>15</td> </tr> <tr> <td>600</td> <td>81</td> <td>15</td> <td>40</td> <td>14</td> <td>15</td> </tr> </tbody> </table>	No.	L	L1	D	D1	D2	150	60	10	30	10	11	300	63	10	32	12	13	450	81	15	40	14	15	600	81	15	40	14
No.	M	H	S2																																																
150	M24x1.5	7	32																																																
300	M27x1.5	7	36																																																
450	M33x1.5	10	46																																																
600	M33x1.5	10	46																																																
No.	L	L1	D	D1	D2																																														
150	60	10	30	10	11																																														
300	63	10	32	12	13																																														
450	81	15	40	14	15																																														
600	81	15	40	14	15																																														

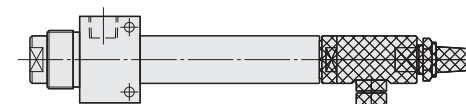
Features

- The jet air cooler is a cool air generating device without moving part, to which the principle of vortex theory is applied.
- Only by supplying compressed air, MAJC jets out up to 40°C cooler air, and MAJCA jets out up to 60°C cooler air, than the temperature of the supplied air.
- Neither refrigerant nor electricity is used.

Precautions for Use

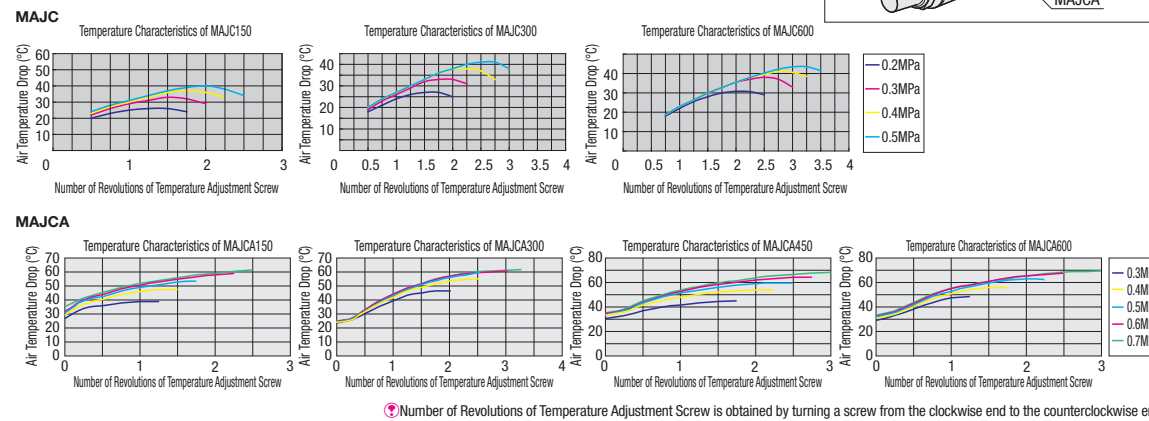
- In air supply, use the air filter and reducing valve.
- Use an air dryer to avoid from freezing when using at low temperature. Pay attention to the surrounding components when condensation on the tip of the hose causes water droplet.
- Adjusting Hose Type should be used at temperature -20°C or higher.
- Please read the manual and use the product correctly.
- When air flow volume is 100L/min or less or supply air pressure is 0.2MPa or less, effective cooling cannot be achieved.

* Especially for MAJCA and MAJCAH, the temperature of parts marked with mesh may rise up to 70°C, depending on conditions of use, when air temperature at the entrance is 20°C. Be sure to avoid burn injury.

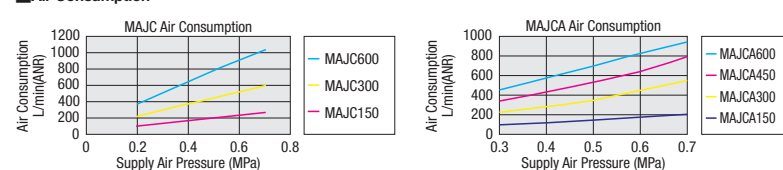


Temperature Property

* The air descent temperature is the descent temperature against the air temperature at the entrance.



Air Consumption



Temperature Adjustment Method

MAJC, MAJCH

Tighten
 (The temperature of the air rises, and the amount of cold air increases.)

Loosen
 (The temperature of the air drops, and the amount of cold air decreases.)

MAJCA, MAJCAH

Tighten
Loosen

