

Support Units - Support Side, Round <Convenient>

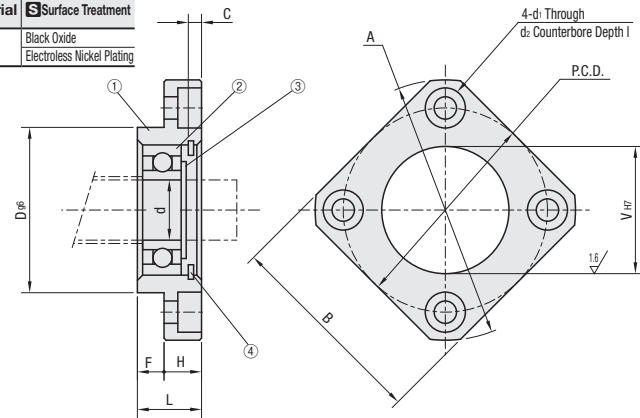
Type with Retaining Ring

Support Side Standard (with Retaining Ring)

Type with Retaining Ring	Material	Surface Treatment
BTR	S45C	Black Oxide
BTRM		Electroless Nickel Plating



RoHS10



Number	Part Name	Quantity
①	Housing	1
②	Japanese made radial bearing	1
③	Retaining Ring (STWN, S)	1
④	Retaining Ring (RTWN, S)	1

Ⓜ BURR bearing is Stainless Steel Type filled with low dust generation grease.
 Ⓜ ③ and ④ Retaining Ring for BURR/BURMBTRM are of Stainless Steel Type.

Part Number Type	No.	d	L	H	F	D	A	P.C.D.	B	V	d1	d2	l	Retaining Ring			
														C	Retaining Ring	Bearing Type	Retaining Ring
BTR BTRM	6	6	10	6	4	22	36	28	28	17	3.4	6.5	4	3	RTWN, S17	B606ZZ	STWN, S6
	10	8	12	7	5	28	43	35	35	22	3.4	6.5	4	3	RTWN, S22	B608ZZ	STWN, S8
	12	10	15	7	8	34	52	42	42	26	4.5	8	4	3	RTWN, S26	B6000ZZ	STWN, S10
	15	15	17	9	8	40	63	50	52	32	5.5	9.5	5.5	4	RTWN, S32	B6002ZZ	STWN, S15
	20	20	20	11	9	57	85	70	68	47	6.6	11	6.5	4.5	RTWN, S47	B6204ZZ	STWN, S20

Part Number Type	No.	Unit Price	
		BTR 1 ~ 10 pc (s).	BTRM 1 ~ 10 pc (s).
BTR BTRM	6		
	10		
	12		
	15		
	20		

Ordering Example
 Part Number
BUR15

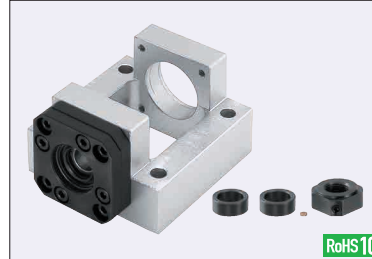
Example

 With Type with Retaining Ring, the bearing does not fall off from the Support Unit.

- Details of Bearings in addition to mounting interface accuracies of Support Units, Included Collar and Bearing Nut **P.759**
- Low Temperature Black Chrome Plating products are filled with low dust generation grease for cleanrooms.
- Store Accessories with care since they are required when assembling.

Support Units - Fixed Side, Square <Convenient>

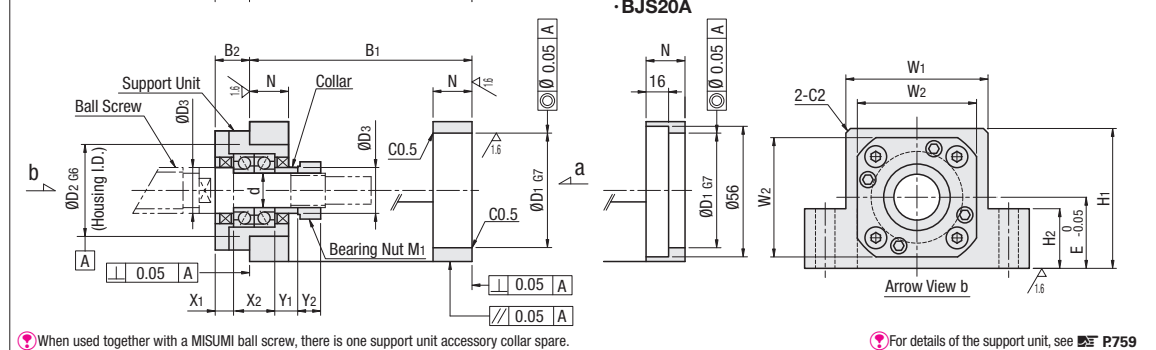
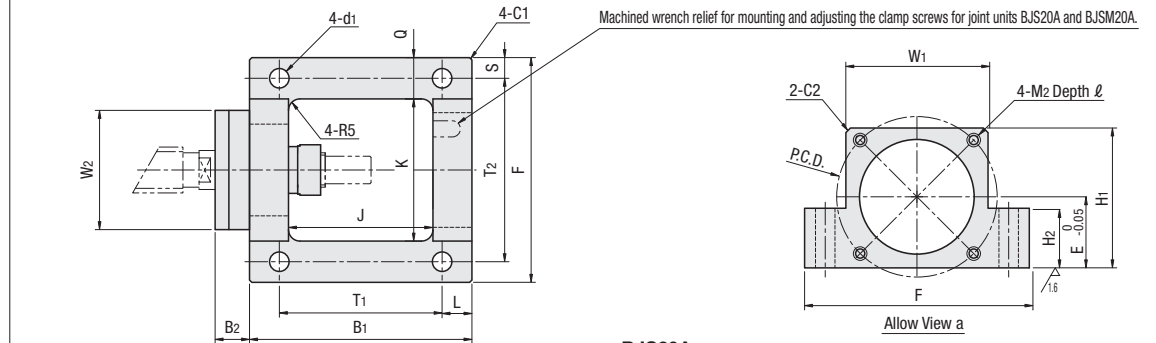
Integrated AC Servo Motor Bracket



Type	Material		Surface Treatment		Accessory	Applicable Motor
	Main Body	Support Units	Main Body	Support Units		
BJS	A5052P	S45C	Clear Anodize	Black Oxide	Collar 2 pcs. Bearing Nut 1 pc. (with Set Piece)	AC Servo Motor
BJSM				Electroless Nickel Plating		

Features
 - Simplification of Assembly: With a support bearing unit already pre-installed mounting and aligning a motor becomes simple with a build-in pilot.
 - Accurate Shaft Centering: Unitized construction of ball screw and motor mounts reduces shaft misalignments.

RoHS10



When used together with a MISUMI ball screw, there is one support unit accessory collar spare.
 For details of the support unit, see **P.759**

Part Number Type	No.	d	B1	B2	D1	D2	D3	E	F	H1	H2	J	K	L	N	Q	S	T1	T2	W1	W2	X1	X2	Y1	Y2	P.C.D.	Support Units					
																											M1 (Fine)	M2 (Coarse)	d1	l		
BJS BJSM	*8A	8	67	9	30	28	11.5	21	64	41	19	43	40	10	12	12	6	47	52	40	35	5	14	5.5	6.5	45	M8x1.0	M3	5.5	8	BRW8	-
	*8B																											M4	10			
	*10A	10	74	13	30	34	14	25	70	46	23	46	42	10	14	14	7	54	56	42	42	8	16	5.5	8	45	M10x1.0	M3	6.5	8	BRW10	BRWN10
	10B																											M4	10			
	*12A	12	74	13	30	36	15	25	72	47	23	46	44	10	14	14	7	54	58	44	44	8	16	5.5	8	45	M12x1.0	M3	6.5	8	BRW12	BRWN12
	12B																											M4	10			
	12C																											M5	8.5	Through		
	15A	15	97	15	50	40	20	31	98	61	26	63	62	13	18	9	71	80	62	70	70	8	18	10	10	70	M15x1.0	M5	8.5	13	BRW15	BRWN15
	15B																											M6	10.5	15		
	20A	20	117	22	50	57	25	35	116	70	30	69	70	20	24	23	11	77	94	70	68	14	28	11	13	70	M20x1.0	M5	10.5	13	BRW20	BRWN20
	20B																											M6	15			

* marked sizes are for BJS only.

Ordering Example
 Part Number
BJS8A

Part Number	Flange Size	Motor			Part Number	Flange Size	Motor		
		Manufacturer	Output (W)				Manufacturer	Output (W)	
BJS8A BJS10A BJS12A	38	Panasonic	30		BJS (M)12C BJS (M)15A BJS (M)20A	60	Yaskawa Electric Corporation	200	
			50					400	
			100					200	
BJS8B BJS (M)10B BJS (M)12B	40	Yaskawa Electric Corporation	30		BJS (M)15B BJS (M)20B	80	Mitsubishi Electric Corporation	750	
			50					750	
			100					750	
			30					750	
			50					750	
			100					750	

- Motor part numbers and specifications are subject to change. Refer to motor manufacturer's specifications.
- Selection of motors, ball screws and couplings should be made upon confirming user's application specific criteria.
- Other motors and couplings not listed in the chart can also be used. Consult with mounting dimensions and specifications of each product.
- When selecting ball screws, use MISUMI Technical Calculation Software: <http://fa.misumi.jp/> (Free)