

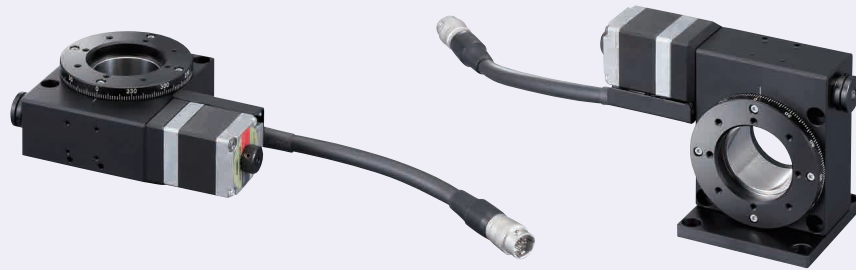
[Motorized] Rotary Stages - Worm Gear



■ **Features:** Suitable for large angle-positioning with high accuracy or being rotated 360° repeatedly.

☉ For CAD data, see the MISUMI website.

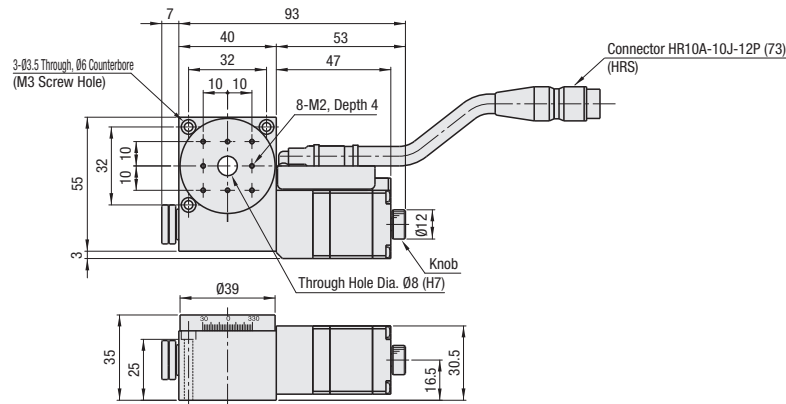
■ **Rotary Stage**



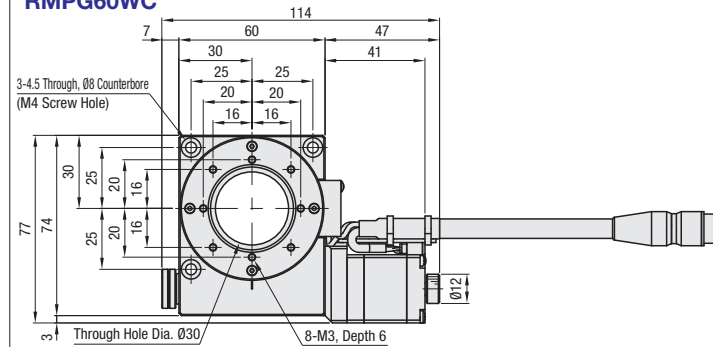
M Material: Aluminum Alloy
S Surface Treatment: Black Anodize
A Accessory: RMPG40W: SCB3-30 (3 pcs.)
 RMPG60WC: SCB4-30 (3 pcs.)
 RMPG60ZC: SCB4-6 (4 pcs.)

☉ For Controllers, Handset Terminals, see P. 1-2014-1 - P. 1-2014-2

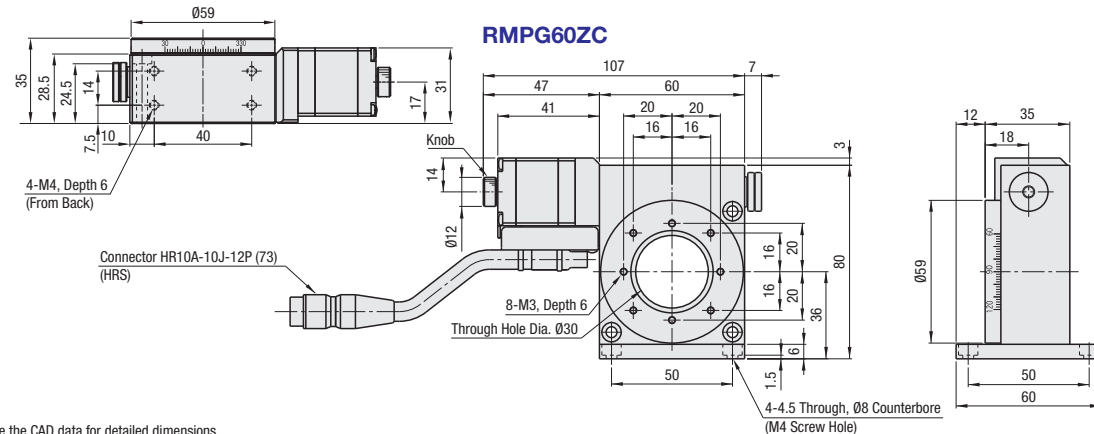
RMPG40W



RMPG60WC



RMPG60ZC



☉ See the CAD data for detailed dimensions.

Part Number		Cable	Mechanical Standards			Accuracy Standards	
Type	No.		Stage Surface (mm)	Travel Distance (°)	Weight (kg)	Positioning Accuracy	Moment Rigidity ("/N•cm)
RMPG	40W	N (Cable not included (separately sold)) For cables separately sold, see MSCB_ option on P. 1-2014-3	Ø39	360°	0.4	0.05° or Less	0.74
	60WC		Ø59		0.6		0.84
	60ZC				0.7		



Ordering Example: Part Number - Cable
 RMPG40W - N



Days to Ship

[Configure Online](#)

■ **Common Specifications**

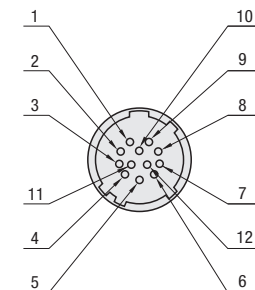
No.	40W	60WC	60ZC
Feed Screw	Worm Gear (1/120)	Worm Gear (1/180)	
Guide	Deep Groove Ball Bearing		
Resolution (Pulse)	≈0.006°(Full)	≈0.004°(Full)	
Max. Speed	30°/sec[5khz]	20°/sec[5khz]	
Positioning repeatability	Within ±0.01°		
Load Capacity	29.4N	9.8N	
Lost Motion	0.05° or Less		
Backlash	0.1° or Less	0.05° or Less	
Parallelism	50µm or less		
Eccentricity	5µm or less / Full Stroke		
Surface Runout	30µm or less		

■ **Electrical Specifications**

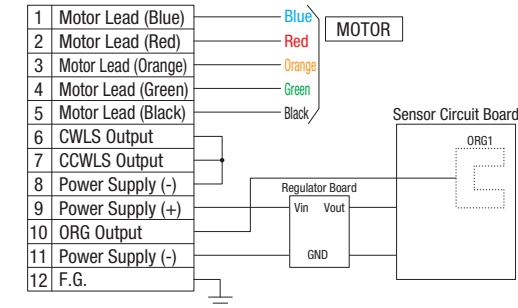
Motor	Type	5-Phase Stepping Motor 0.75A/Phase (Oriental Motor Co., Ltd.)
Part Number		C005C-90215P-1
Step Angle		0.72°
Connector	Part Number	HR10A-10J-12P (73) (Hirose Electric Co., LTD.)
Compatible Receptacle Connector		HR10A-10P-12S (73) (Hirose Electric Co., LTD.)
Limit Sensor		Not Provided
Home Sensor (ORG1)		Provided
Slit Home Origin Sensor (ORG2)		Not Provided
Sensor	Part Number	Photomicrosensor: EE-SX4320 (OMRON Corp.)
Power Supply Voltage		DC5~24V ±10%
Current Consumption		35mA or less
Control Output		NPN Open Collector Output DC5~24V, 8mA or less Residual Voltage 0.3V or less (when load current is 2mA)
Output Logic		Detecting (Dark): Output Transistor OFF (Non-Conducting)

☉ Sensors with Part Number EE-SX4134 will be discontinued and replaced by next-generation products with Part Number EE-SX4320 from November 2018.

■ **Connector Pin Configuration**



■ **Wiring Diagram**



■ **Timing Chart**

☉ When MSCTL102/112 Series controller is used and when the Homing Routine Type 4 is executed, the home position is detected with Division 0 [°] (with light blocked).

	Graduated Scale Home Position [°]
RMPG40W	0 (Home Position Edge: CCW Side Edge of Light Shielding Plate) 11 (Reverse Side Edge: CW Side Edge of Light Shielding Plate)
RMPG60WC	0 (Home Position Edge: CCW Side Edge of Light Shielding Plate) 9 (Reverse Side Edge: CW Side Edge of Light Shielding Plate)

☉ The CW/CCW direction on the timing chart indicates the rotational direction of motor. When the motor is rotated CW (clockwise), the top plate is also rotated CW.

☉ For details about Homing, see P. 1-1735-97