

# Plastic Chain Conveyors

## Single Track, Head Drive, 3-Slot Frame (Sprocket Dia. 57mm)

**Features:** Use of Plastic Chains prevents scratches, and makes for easy maintenance.

### CVSPC 6W Motor Type



Material	Frame	Motor Cover	Pulley Holder	Plastic Chain
Aluminum	Aluminum	Aluminum	A5052	Polyacetal
Clear Anodize	Clear Anodize	Paint	Clear Anodize	-

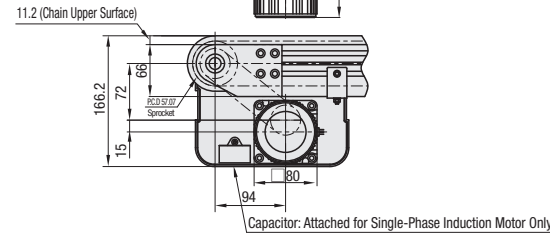
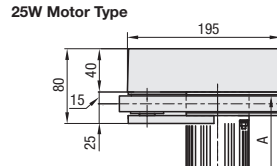
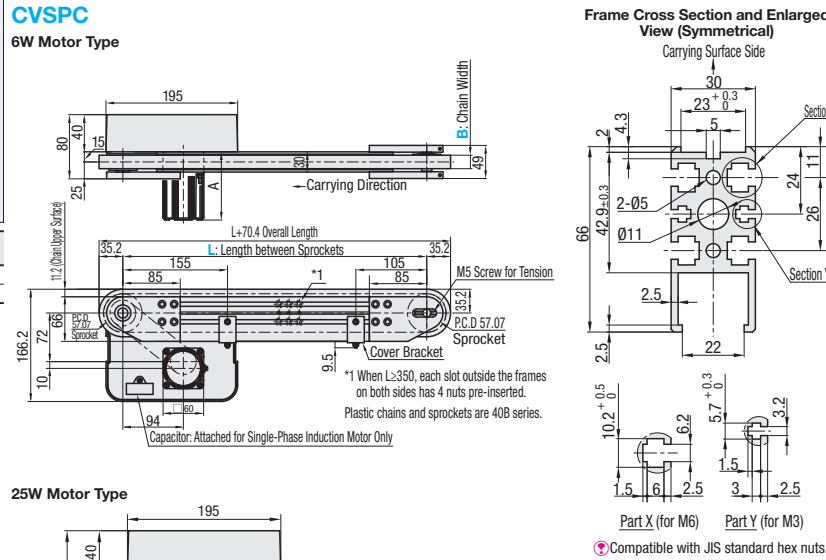
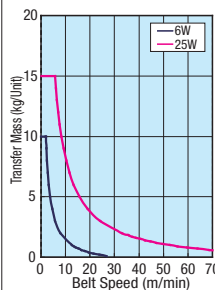
#### Gearhead Reduction Ratio

\*May decrease depending on load condition.

Gearhead Reduction Ratio	Belt Speed (m/min)	
	50Hz	60Hz
5	53.7	64.4
7.5	35.8	43.0
9	29.8	35.8
12.5	21.5	25.8
15	17.9	21.5
18	14.9	17.9
25	10.7	12.9
30	9.0	10.7
36	7.5	9.0
50	5.4	6.4
60	4.5	5.4
75	3.6	4.3
90	3.0	3.6
100	2.7	3.2
120	2.2	2.7
150	1.8	2.1
180	1.5	1.8

#### Conveying Capacity

\* Reference Value



#### \* A Dimension Details

Output (W)	Motor Specification	Manufacturer	Reduction Ratio	A
6W	Induction Motor	Panasonic Motor	12.5-25	101.0
		Oriental Motor	30-180	108.0
		Taiwanese Motor	30-180	115.0
	Variable Speed Motor	Oriental Motor	12.5-25	105.0
		Taiwanese Motor	90-180	120.7
		Taiwanese Motor	12.5-25	115.0
25W	Induction Motor	Panasonic Motor	12.5-180	115.0
		Oriental Motor	12.5-18	117.0
		Taiwanese Motor	25-180	127.5
	Variable Speed Motor	Oriental Motor	12.5-75	129.0
		Oriental Motor	90-180	136.0
		Taiwanese Motor	12.5-18	127.0
Variable Speed Motor	Oriental Motor	25-180	137.5	
	Taiwanese Motor	12.5-75	139.5	
			90-180	146.5

Part Number	B Selection	L 5mm Increment	Motor		Gearhead Reduction Ratio	Plastic Chain Belt Specification	Motor Manufacturer Selection
			Output (W)	Voltage (V)			
CVSPC	20	350-3000	6	T100 (Single-phase)	5 7.5 9 12.5 15 18 25 30 36 50 60 75 90 100 120 150 180	H (Standard, White) D (Conductive, Black) J (No Belt)	A (Panasonic Motor) B (Oriental Motor) C (Taiwanese Motor)  *SCM (Variable Speed Motor) is not selectable for A.  R (No Motor, Gearhead)
			25	S200 (3-Phase)			
			6	NV (No Motor)			

Connect the motor so that the chain rotates in the direction of conveyance. For connection diagram, and details of motor and motor driver, see P. 1267 onward. For belt details, see P. 1279 onward.  
 When "No motor, gearhead" is selected, the motor mounting hole pitch will vary depending on the motor's power rating. Please see Technical Information in our Conveyor Selection web site for the dimension details.  
 When "No motor, gearhead" is selected, this unit will be delivered unassembled. The customer is to assemble the unit according to the included assembly instructions. See our Conveyor Selection site for assembly procedures and packaging details.  
 Since plastic chain is subject to abrasion and produces dust during use, it is not suitable for the use in the clean room. This, however, does not affect functionality of conveyance.

Part Number	B	Body Price 1 - 2 pc(s).																							
		L350-400	L405-500	L505-600	L605-700	L705-800	L805-900	L905-1000	L1005-1100	L1105-1200	L1205-1300	L1305-1400	L1405-1500	L1505-1600	L1605-1700	L1705-1800	L1805-1900	L1905-2000	L2005-2200	L2205-2400	L2405-2600	L2605-2800	L2805-3000		
CVSPC	20																								

Motor, Belt Spec. Price	Motor Output	Specification	Motor				H (Standard)	D (Conductive)	J (No Belt)
			A (Panasonic Motor)	B (Oriental Motor)	C (Taiwanese Motor)	R (No Motor, Gearhead)			
	6W	IM							
	25W	SCM							

Ordering Example: CVSPC - 20 - 1000 - 25 - T100 - IM - 25 - H - C

Alterations: Motor Position Reversed, Additional Counterbores, Motor Cover with Window, Brackets for Speed Controller Included, Post-Assembly Insertion Nuts Included, Motor with Terminal Box, Orthogonal Shaft Gear Head

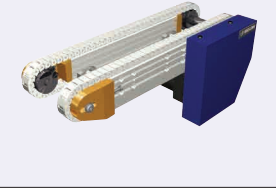
Ex.) For No Belt: CVSPC-20-1000-25-T100-SCM-25-J-B  
 Ex.) For No Motor, Gearhead: CVSPC-20-1000-25-NV-NM-NH-H-R  
 Body Price + Motor, Belt Spec. Price = Unit Price

# Plastic Chain Conveyors

## Dual Track, Head Drive, 3-Groove Frame (Sprocket Dia. 57mm)

**Features:** Since there are two rows of conveyor surfaces, sensors and stoppers can be mounted in between the belts. Use of Plastic Chains prevents scratches, and makes for easy maintenance.

### CVSPA 25W Motor Type



Material	Frame	Motor Cover	Pulley Holder	Plastic Chain
Aluminum	SPCC	Paint	A5052	Polyacetal
Clear Anodize	Clear Anodize	Paint	Gold Anodize	-

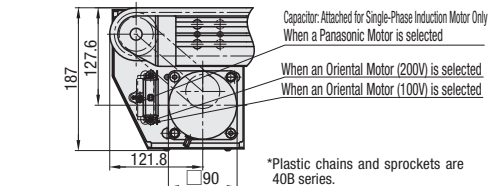
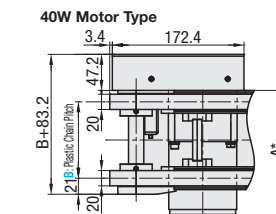
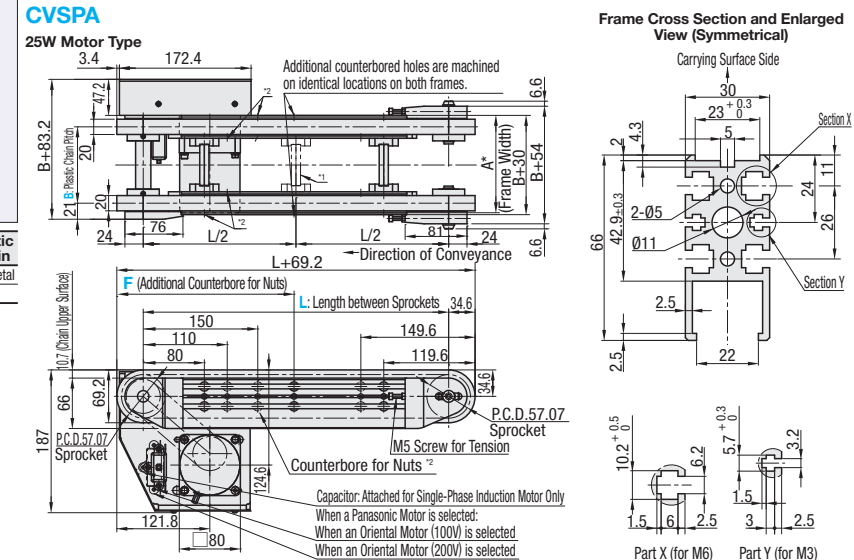
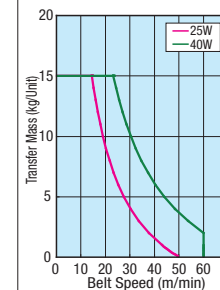
#### Gearhead Reduction Ratio

\*May decrease depending on load condition.

Gearhead Reduction Ratio	Belt Speed (m/min)	
	50Hz	60Hz
5	53.7	64.4
7.5	35.8	43.0
9	29.8	35.8
12.5	21.5	25.8
15	17.9	21.5
18	14.9	17.9
25	10.7	12.9
30	9.0	10.7
36	7.5	9.0
50	5.4	6.4
60	4.5	5.4
75	3.6	4.3
90	3.0	3.6
100	2.7	3.2
120	2.2	2.7
150	1.8	2.1
180	1.5	1.8

#### Conveying Capacity

\* Reference Value



#### \* A Dimension Details

Output (W)	Motor Specification	Manufacturer	Reduction Ratio	A
25W	Induction Motor	Panasonic	5-180	115.0
		Oriental	5-18	117.0
		Oriental	25-180	127.5
40W	Induction Motor	Panasonic	5-180	142.0
		Oriental	5-18	147.0
		Oriental	25-180	165.0
Variable Speed Motor	Oriental		5-18	157.0
			25-180	175.0

Part Number	B 10mm Increment	L 5mm Increment	Motor		Gearhead Reduction Ratio	Belt Specification	F (Additional Counterbores) 5mm Increment	Motor Manufacturer Selection
			Output (W)	Voltage (V)				
CVSPA	80-300	300-3000	25	TA115 (Single-phase)	5 7.5 9 12.5 15 18 25 30 36 50 60 75 90 100 120 150 180	H (General Purpose) D (Conductive, Black) J (No Belt)	205<F<L-105 When not specified, there will be no additional counterbores.	A (Panasonic Motor) B (Oriental Motor)  *SCM (Variable Speed Motor) is not selectable for A.  R (No Motor, Gearhead)
			40	SA220 (3-Phase) SA230 (3-Phase)				
				NV (No Motor)				

Connect the motor so that the chain rotates in the direction of conveyance. For connection diagram, and details of motor and motor driver, see P. 1267 onward. For belt details, see P. 1279 onward.  
 When "No motor, gearhead" is selected, the motor mounting hole pitch will vary depending on the motor's power rating. Please see Technical Information in our Conveyor Selection web site for the dimension details.  
 When "No motor, gearhead" is selected, this unit will be delivered unassembled. The customer is to assemble the unit according to the included assembly instructions. See our Conveyor Selection site for assembly procedures and packaging details.  
 Since plastic chain is subject to abrasion and produces dust during use, it is not suitable for the use in the clean room. This, however, does not affect functionality of conveyance.

Part Number	B	Body Price 1 - 2 pc(s).																						
		L300-450	L455-500	L505-600	L605-700	L705-800	L805-900	L905-1000	L1005-1100	L1105-1200	L1205-1300	L1305-1400	L1405-1500	L1505-1600	L1605-1700	L1705-1800	L1805-1900	L1905-2000	L2005-2500	L2605-2700	L2705-2800	L2805-2900	L2905-3000	
CVSPA	80-100 110-200 210-300																							

Motor, Belt Spec. Price	Motor Output	Specification	Motor				H (Standard)	D (Conductive)	J (No Belt)
			A (Panasonic Motor)	B (Oriental Motor)	R (No Motor, Gearhead)	F (Additional Counterbores)			
	25W	IM							
	40W	SCM							

Ordering Example: CVSPA - 100 - 750 - 25 - T200 - IM - 90 - H - F300 - A

Alterations: Motor Position Reversed, Brackets for Speed Controller Included, Post-Assembly Insertion Nuts Included, Motor with Terminal Box, Stands (Legs)

Ex.) For No Motor, Gearhead: CVSPA-100-1000-25-NV-NM-NH-F300-R  
 Ex.) For No Belt: CVSPA-100-1000-25-T100-IM-5-J-B  
 Body Price + Price with Motor + Belt Spec. Price = Unit Price