


Urethane Rollers with Shafts

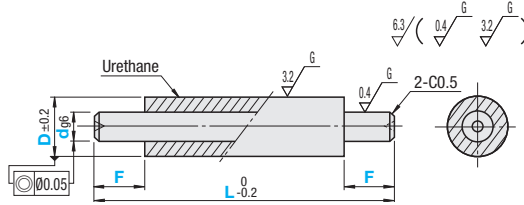
Straight / Both Ends Threaded

■ Straight



Type	Material		Hardness
	Shaft	Lining	
USH	SUJ2 Induction Hardened	Urethane (Natural Color)	Shore A90
USM	Hardened (Depth 0.8~2mm) 58HRC~	Urethane (Natural Color)	Shore A70
USL		Urethane (Natural Color)	Shore A50

Urethane is baked on the outer circumference of the core material.




Part Number Type	D	dg6 Selection	L 1mm Increment	F 1mm Increment
USH	10	5 6	50~100	5≤F≤dx2 Fx2<L
	15	6 8 10	50~150	
	20	8 10 12 15	50~200	
	25	10 12 15 20	50~200	
	30	15 20	50~300	
USL	35	15 20	50~300	

Ordering Example **Part Number** - d - L - F
USH20 - 8 - 150 - F10

Part Number Type	D	Unit Price				
		L50~100	L101~150	L151~200	L201~250	L251~300
USH	10	-	-	-	-	-
	15	-	-	-	-	-
	20	-	-	-	-	-
	25	-	-	-	-	-
	30	-	-	-	-	-
USL	35	-	-	-	-	-

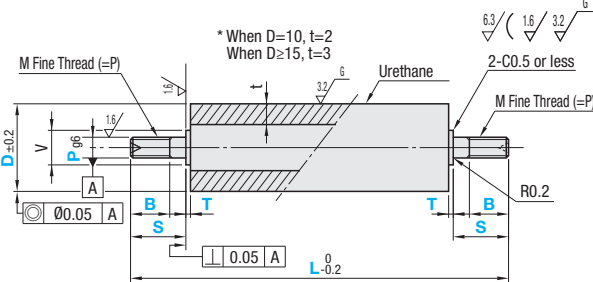
Part Number Type	D	Unit Price				
		L50~100	L101~150	L151~200	L201~250	L251~300
USM	10	-	-	-	-	-
	15	-	-	-	-	-
	20	-	-	-	-	-
	25	-	-	-	-	-
	30	-	-	-	-	-
USL	35	-	-	-	-	-

■ Both Ends Threaded



Type	Material		Hardness
	Shaft	Lining	
USMH	S45C Equivalent	Urethane (Natural Color)	Shore A90
USMM		Urethane (Natural Color)	Shore A70
USML	S45C	Urethane (Natural Color)	Shore A50

Urethane is baked on the outer circumference of the core material.



Part Number Type	D	L 1mm Increment	Pg6 Selection							1mm Increment		
			S	B	T	S	B	T				
USMH	10	50~100	3								1~30	
	15	50~150	3 4 5 6									
	20	50~200	4 5 6 8 10									
	25	50~200	4 5 6 8 10 12									
	30	50~300	5 6 8 10 12 15 17									
USML	35	50~300	8 10 12 15 17 20									

V and M are as the list below based on P dim.

P	V	M (Fine)
3	5	M 3xP0.35
4	6	M 4xP0.5
5	7	M 5xP0.5
6	8	M 6xP0.75
8	10	M 8xP1.0
10	13	M10xP1.0
12	15	M12xP1.0
15	17	M15xP1.0
17	20	M17xP1.0
20	24	M20xP1.0

Ordering Example **Part Number** - L - P - S - B - T
USMH20 - 180 - P10 - S30 - B25 - T1

Part Number Type	D	Unit Price				
		L50~100	L101~150	L151~200	L201~250	L251~300
USMH	10	-	-	-	-	-
	15	-	-	-	-	-
	20	-	-	-	-	-
	25	-	-	-	-	-
	30	-	-	-	-	-
USML	35	-	-	-	-	-

Part Number Type	D	Unit Price				
		L50~100	L101~150	L151~200	L201~250	L251~300
USMM	10	-	-	-	-	-
	15	-	-	-	-	-
	20	-	-	-	-	-
	25	-	-	-	-	-
	30	-	-	-	-	-
USML	35	-	-	-	-	-

Alterations **Part Number** - d - L - F - P - S - B - T - (DKC, UDC)
USH15 - 8 - 80 - F5 - DKC
USMH20 - 120 - P8 - S8 - B5 - T4 - UDC


Alteration	Code	Spec.
O.D. Tolerance	DKC	D dimension tolerance is changed. +0.05 d Tolerance 0 [Ordering Code] DKC

Alteration	Code	Spec.
Change to Antistatic Urethane (Urethane Color: Gray)	UDC	Only USH and USMH are antistatic Change to Urethane [Ordering Code] UDC Specific Volume Resistivity 2.1 x 10 ⁹ Ω·cm Surface Resistivity 4.0x10 ⁹ Ω (Temperature 30°C / Humidity 60%)

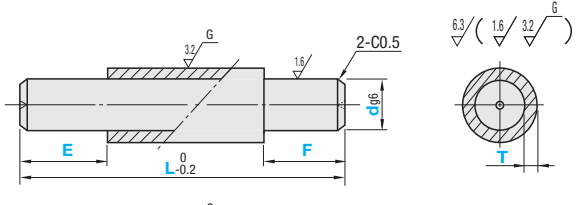
Urethane Rollers with Shafts

Urethane Thickness Configurable


■ Straight



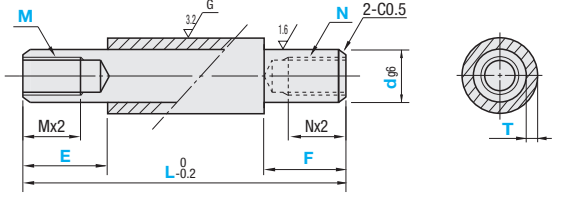
Type	Material		Hardness
	Shaft	Lining	
USRH	S45C	Urethane (Natural Color)	Shore A90
USRM		Urethane (Natural Color)	Shore A70
USSRH	SUS304	Urethane (Natural Color)	Shore A90



■ Both Ends Tapped



Type	Material		Hardness
	Shaft	Lining	
USRWH	S45C	Urethane (Natural Color)	Shore A90



Urethane is baked on the outer circumference of the core material.

Part Number Type	d	T 1mm Increment	L 1mm Increment	E, F 1mm Increment	Both Ends Tapped Only
					M (Coarse), N (Coarse)
Straight USRH USRM USSRH	8	2~5	50~200	5≤E<L/2 5≤F<L/2	3 4 5
	10				4 5 6
	12				5 6 8
	15				5 6 8 10

Ordering Example **Part Number** - T - L - E - F - M - N
 (Straight) **USRH10** - 2 - 195 - E10 - F10
 (Both Ends Tapped) **USRWH10** - 2 - 195 - E10 - F10 - M5 - N6

■ Straight

d	Unit Price														
	USRH					USRM					USSRH				
	L50~100	L101~150	L151~200	L201~250	L251~300	L50~100	L101~150	L151~200	L201~250	L251~300	L50~100	L101~150	L151~200	L201~250	L251~300
8	-	-	-	-	-	-	-	-	-	-	-	-	-	-	-
10	-	-	-	-	-	-	-	-	-	-	-	-	-	-	-
12	-	-	-	-	-	-	-	-	-	-	-	-	-	-	-
15	-	-	-	-	-	-	-	-	-	-	-	-	-	-	-

■ Both Ends Tapped

d	Unit Price				
	USRWH				
	L50~100	L101~150	L151~200	L201~250	L251~300
8	-	-	-	-	-
10	-	-	-	-	-
12	-	-	-	-	-
15	-	-	-	-	-