

# BALL GUIDE POST SETS

-FIXED STOPPER · ALUMINUM TYPE WITH DOWEL HOLE-



## E-MYKP

(Fixed stopper · Aluminum type with dowel hole)

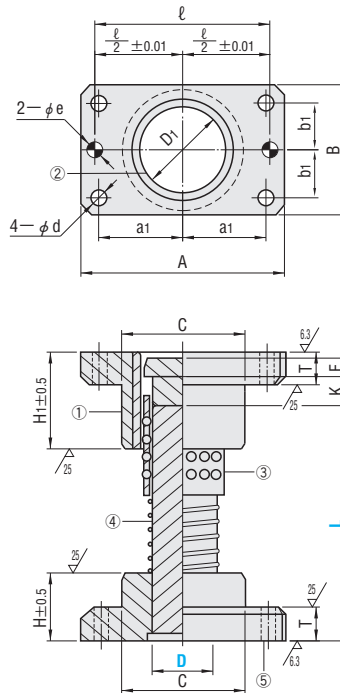


Accessories: Socket head cap screws × 8Pcs  
Dowel pins × 4Pcs

- ①⑤ M FC250
- ② M EN-31
- ③ H 58HRC-
- ④ M A6063
- ④ M S45C
- ⑤ H 58HRC-  
(Induction hardening)

## E-MYKP

(Fixed stopper · Aluminum type with dowel hole)



D	D <sub>1</sub>	A	B	C	F	d	H	H <sub>1</sub>	T	K	ℓ	a <sub>1</sub>	b <sub>1</sub>	e
25	31	84	48	46	5	9	30	50	20	15	66	33	15	8
32	40	100	58	56	5	11	40	60	20	20	76	38	18	8
38	46	130	75	73	7.5	11	50	70	25	17.5	100	50	22	10
50	58	155	90	87	7.5	14	65	90	25	22.5	125	62.5	30	10
60	68	190	120	116	7.5	18	75	100	30	22.5	150	75	40	13

Catalog No.		L																
Type	D																	
E-MYKP	25	90	100	110	120	130	140	150	160	170	180	200						
	32			110	120	130	140	150	160	170	180	200	220	240	260			
	38				130	140	150	160	170	180	200	220	240	260	300			
	50								170	180	200	220	240	260	300	350		
	60										200	220	240	260				



Order

Catalog No. — L  
E-MYKP32 — 180



Alterations

Catalog No. — L — SET  
E-MYKP32 — 180 — SET

Alteration	Code	Spec.
Including Dowel and Bolt	SET	Bolt-8 Pcs Dowel-4 Pcs

- ⊙ Perpendicularity of guide holder bottom and guide post: 0.035mm/100mm or less
- ⊙ Bush/Holder flatness is 0.05mm



Days to Ship

Quotation



Price

Quotation