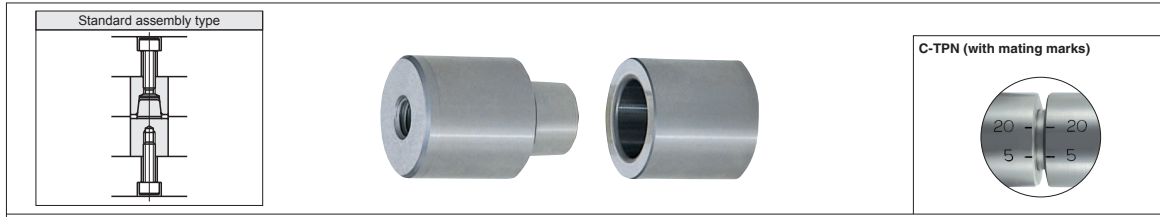


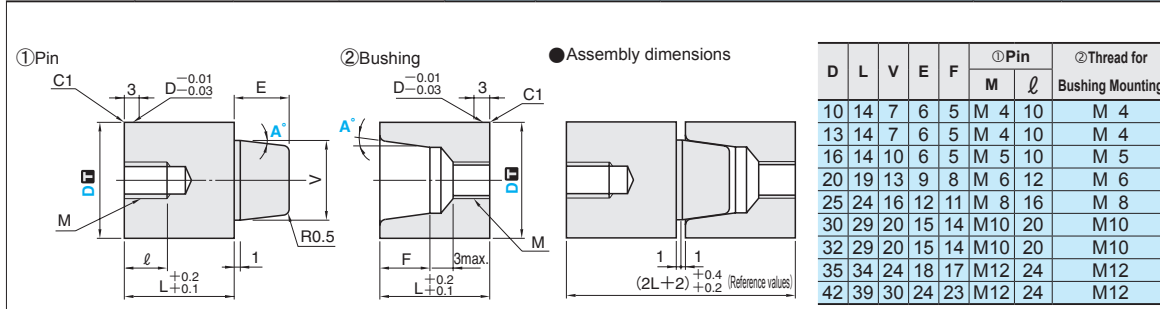
TAPERED PIN SETS

Green character items
now kept in stock.

 Stock Items in Thailand



Group	Model			D Tolerance	Single-piece Coaxiality of Tapered Surface Against Pin and Bushing Outer Diameters		Material	Hardness
	Assembly	Pin	Bushing		With mating marks	Non-original components should not be used for assembly		
Standard Class	C-TPN	-	-	Dk6	With mating marks	Non-original components should not be used for assembly	SUJ2	58~62HRC



■ Standard Class Dk6-with Mating Marks

Dk6	Tolerance	Model		A°	U/price
		Type	D		
13	+0.012	C-TPN (①+② assembly)	13	1	Quotation via WOS
16	+0.001		16		
20	+0.015		20		
25	+0.002		25		
30	+0.002		30		
32	+0.018		32		
35	+0.002		35		
42	+0.002		42		

⚠ For C-TPN (with mating marks), the mating marks should be aligned in use.


Order  Part Number — A
C-TPN 16 — 3

■ Quantity discount rate

Quantity	1~9	10~19	20~29	≥30
Rate	—	5%	10%	15%

Delivery   1 Day

⚠ To be quoted on price & lead time above Max. Qty

Price  Contact Information for Inquiry
WOS: <http://th.misumi-ec.com/>
TEL: 038-959-200 FAX: 038-959-202

***Tapered Pin Sets บางขนาดที่อยู่ในกรอบสีเทายังไม่จำหน่ายในประเทศไทย หากท่านมีความประสงค์ให้มีชุดจัดเก็บสินค้าเพื่อจำหน่ายในประเทศไทย กรุณาแจ้งความจำนงค์ได้ที... E-mail address: Moldsales@misumi.co.th

Dear value customer, some Tapered Pin Sets diameter and size in grey boxes are not available in Thailand.

If you would like MISUMI to stock any particular specification please contact us at... E-mail address: Moldsales@misumi.co.th