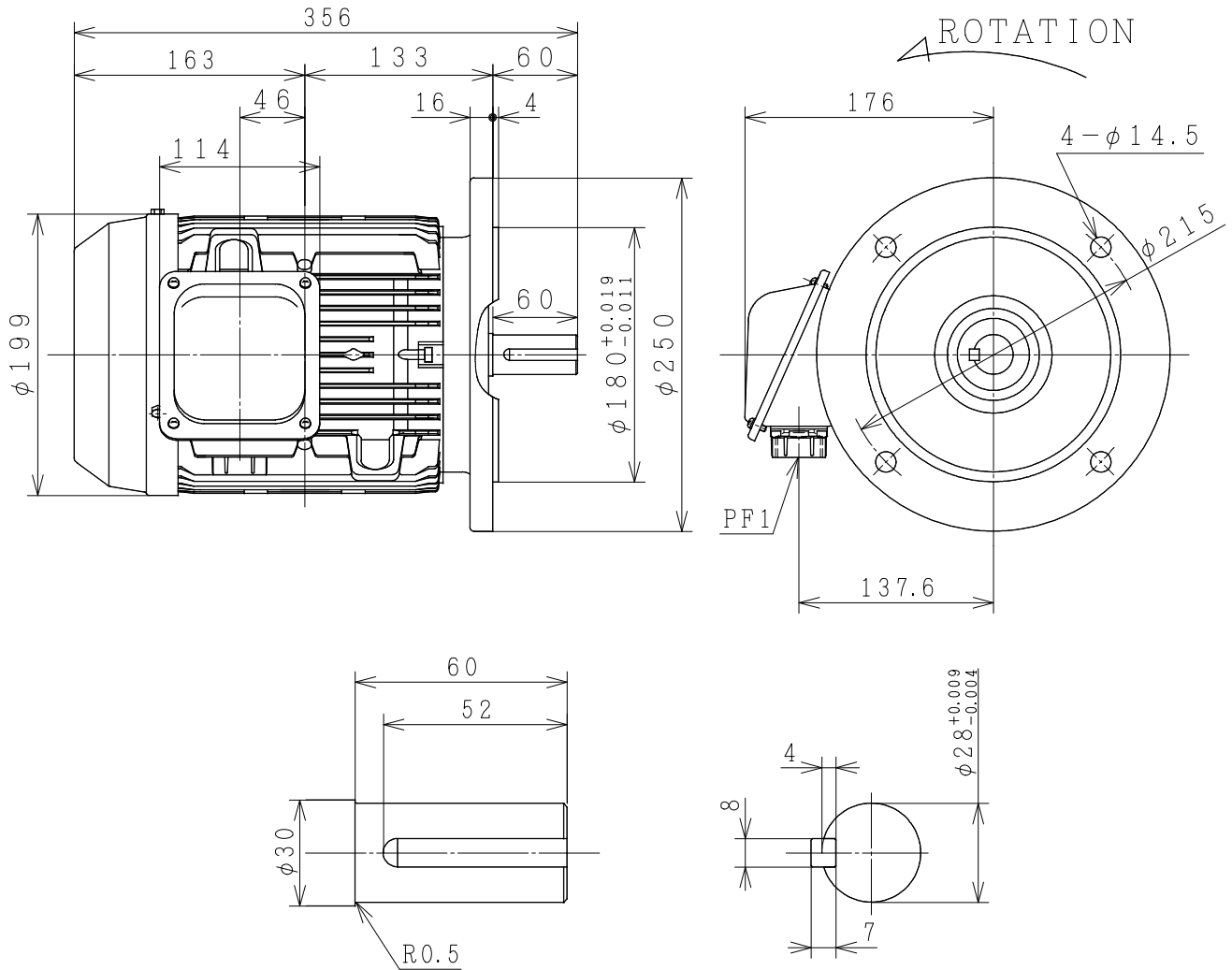


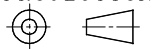
THREE-PHASE INDUCTION MOTOR

OUTPUT	TYPE	FORM	RATING	VOLTAGE (V)	FREQ. (Hz)	SYNC. SPEED (min ⁻¹)	POLES	INS. CLASS	MASS (kg)
3HP	VTFO	K	S1	220/380	S1	1500	4	F	24
2HP	VTFO	K	S1	220/380	S1	1000	6	F	25



PROTECTION: IP55

PROJECTION



CUSTOMER			QTY.	ORDER No.	WORK No.	REV.	
DWN.	P. Tianchai	20-05-13	<div style="display: flex; justify-content: space-around; align-items: center;"> <div style="font-size: 2em; font-weight: bold;">DIMENSIONS</div> <div style="text-align: center;"> HITACHI <small>Hitachi Industrial Technology (Thailand), Ltd.</small> </div> <div style="font-size: 1.5em; font-weight: bold;">4HTD02568</div> </div>			HITT WORKS DWG. No.	SH.
CHKD.	M. KAMIZONO	}					
APPD.	M. KAMIZONO						
FRAME SIZE			VTFOD-FF215 (100L)				

HITACHI

MANUFACTURER'S TEST REPORT OF INDUCTION MOTOR

MESSRS		ORDER No	
--------	--	----------	--

SPECIFICATION FOR MOTOR

OUT PUT(HP)	3	POLES	4	TYPE-FORM	VTFO-K
FREQUENCY(HZ)	50/50	VOLTAGE(V)	220/380	CURRENT(A)	9.1/5.2
PHASES	3	RATING	S1	INSULATION	B
STANDARD	JEC-2137-2000	SECONDARY VOLTAGE(V)	—	SECONDARY CURRENT(A)	—
COOLING	IC411	PROTECTION	IP55	SPEED(min ⁻¹)	1400/1400

MFG No	FREQUENCY (HZ)	(1)NO-LOAD TEST			(2)LOCKED ROTOR TEST		
		VOLTAGE(V)	CURRENT(A)	INPUT(W)	VOLTAGE(V)	CURRENT(A)	INPUT(W)
	50	220	4.77	195.0	53.1	9.0	445.0
	50	380	2.57	165.0	82.4	4.5	340.0

(3)WINDINGS RESISTANCE (BETWEEN LINES) STATOR 115°C 2.60556/7.80460(Ω)

(4)LOAD CHARACTERISTICS

LOAD(%)	CURRENT(A)	EFFICIENCY(%)	POWER FACTOR(%)	SLIP(%)
25	5.08/2.75	70.1/73.1	40.6/41.5	1.5/1.5
50	5.94/3.28	78.8/80.5	61.7/63.3	3.1/3.2
75	7.29/4.09	79.8/80.9	74.4/75.8	4.9/5.2
100	9.09/5.17	78.1/78.6	81.3/82.3	7.1/7.5
125	11.45/6.59	74.3/74.3	84.8/85.3	10.0/10.7

(5)MAXIMUM OUT PUT(%) STARTING CURRENT(A) STARTING TORQUE(%)

162/157 51.2/29.6 217/217

(6)TEMPERATURE RISE TEST (R)-RESISTANCE METHOD

STATOR WINDINGS(K)	FRAME(K)	ROTOR WINDINGS(K)
76.0/76.0 (R)	38.0/38.0	—

(7)INSULATION RESISTANCE BY 500V MEGGER

100MΩ

(8)WITHSTAND STATOR WINDINGS TO CORE 1900V 1MIN WITHSTOOD
VOLTAGE TEST ROTOR WINDINGS TO CORE — V 1MIN WITHSTOOD

(9)CONSTRUCTION, DIMENSION, PAINTING, OTHER PARTS

SATISFACTORY

HITACHI INDUSTRIAL TECHNOLOGY (THAILAND) LTD.	CHECKED BY	T.SHIMOZONO
	DATE	25-MAY-2015

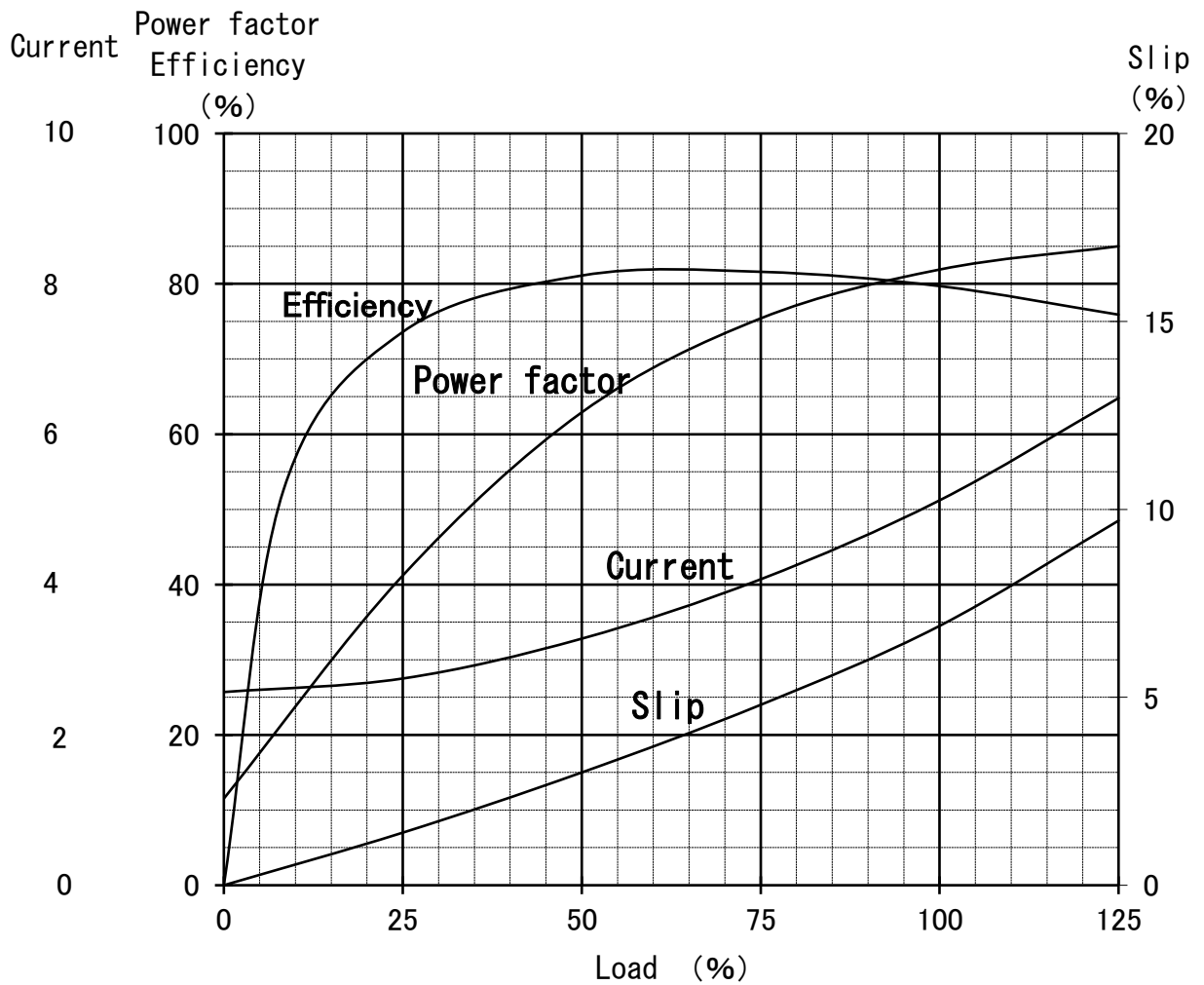
REP.No.RP20299

Three Phase Induction Motor Characteristic Curve

Hitachi Industrial Technology(Thailand),Ltd

Power (HP) 3
 Pole 4
 Type-Form TFO-K , VTFO-K
 Voltage (V) 380
 Frequency (Hz) 50
 Protection IP44 , IP55

Load (%)	0	25	50	75	100	125
Current(A)	2.57	2.75	3.28	4.07	5.12	6.48
Efficiency(%)	0	73.6	81.1	81.6	79.7	75.9
Power factor(%)	11.5	41.2	62.9	75.4	81.9	85.0
Slip (%)	0	1.4	3.0	4.8	6.9	9.7



Speed-Torque, Current Curve

3HP (V) TF0-K 4P
220/380V 50Hz
IP44/IP55

