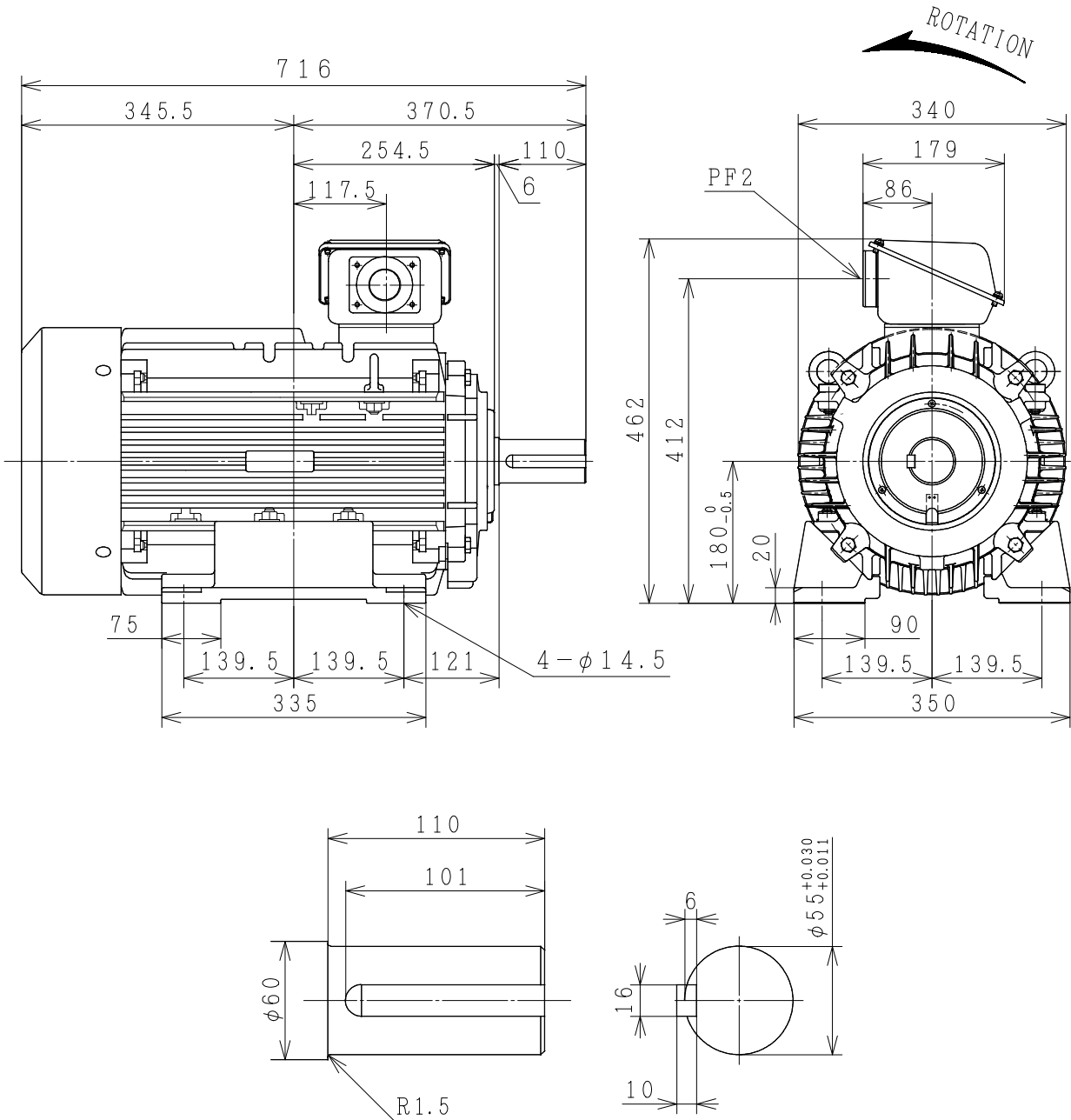


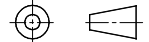
THREE-PHASE INDUCTION MOTOR

OUTPUT	TYPE	FORM	RATING	VOLTAGE (V)	FREQ. (Hz)	SYNC. SPEED (min ⁻¹)	POLES	TH. CLASS	MASS (kg)
40HP	TFO	KK	S1	380/415	50	3000	2	F	140
40HP	TFO	KK	S1	380/415	50	1500	4	F	155
25HP	TFO	KK	S1	380/415	50	1000	6	F	150
30HP	TFO	KK	S1	380/415	50	1000	6	F	160



PROTECTION : IP55

PROJECTION



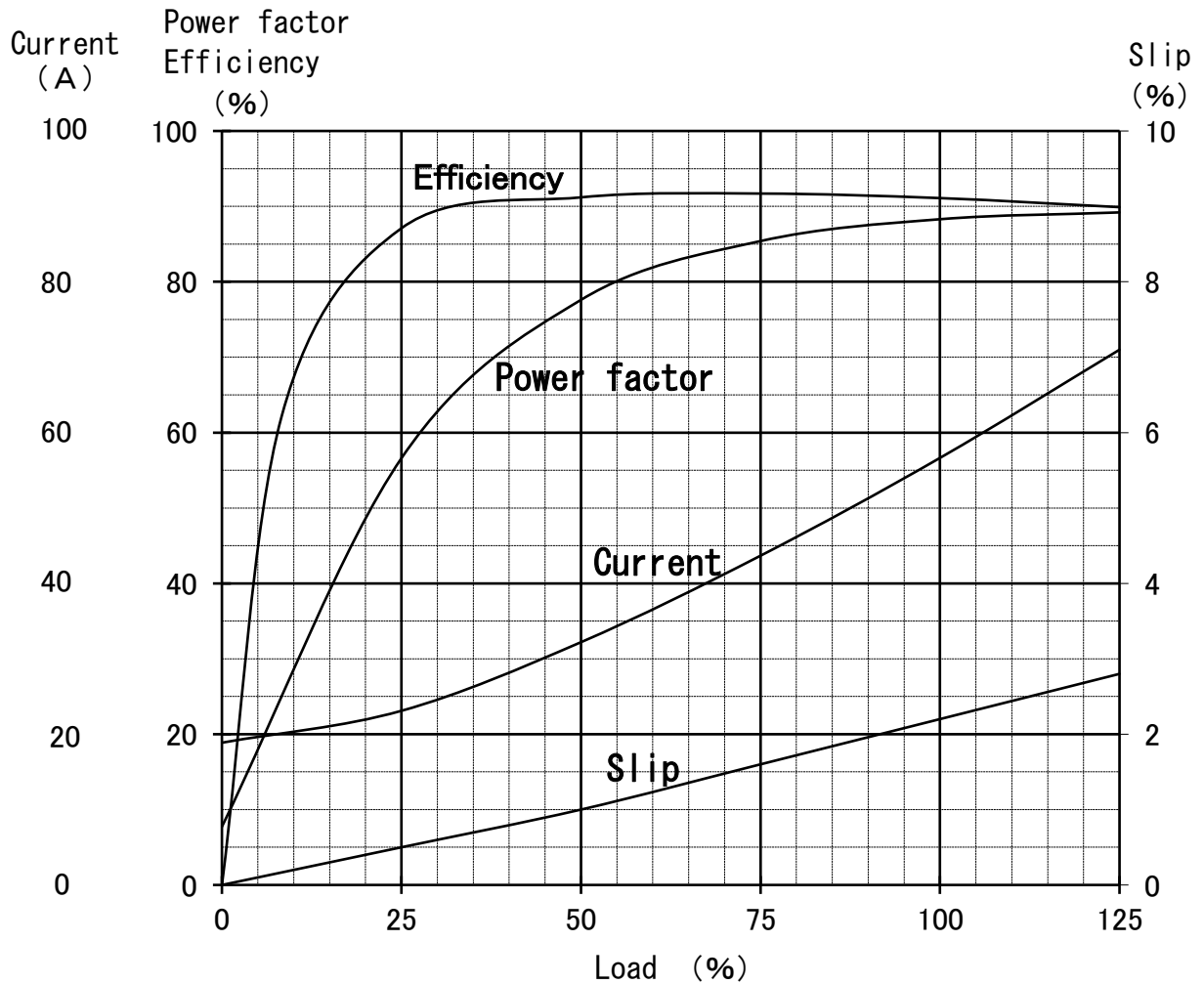
CUSTOMER	QTY.	ORDER No.	WORK No.	REV.
DIMENSIONS	HITACHI Hitachi Industrial Technology (Thailand), Ltd.		HITT WORKS DWG. No. 4HTD03376	SH.
	FRAME SIZE TFOD-180L (TMHD)			

Three Phase Induction Motor Characteristic Curve

Hitachi Industrial Technology(Thailand),Ltd

Power (HP)	40
Pole	4
Type-Form	TFO-KK, VTFO-KK
Voltage (V)	380
Frequency (Hz)	50
Protection	IP44, IP55

Load (%)	0	25	50	75	100	125
Current(A)	18.87	23.10	32.20	43.67	56.64	70.99
Efficiency(%)	0	87.1	91.2	91.7	91.1	89.9
Power factor(%)	7.7	56.6	77.6	85.4	88.3	89.2
Slip (%)	0	0.5	1.0	1.6	2.2	2.8



Speed-Torque, Current Curve

40HP (V) TFO-KK 4P
380/415V 50Hz
IP44/IP55

