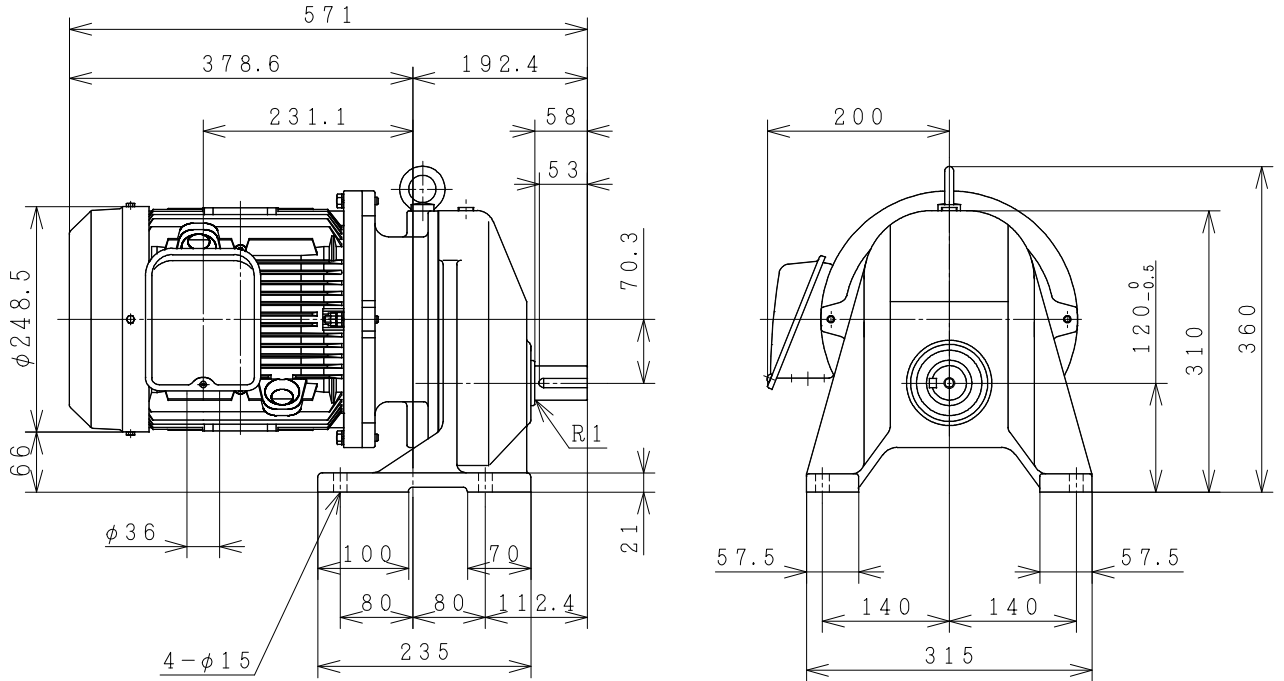


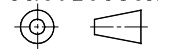
GEAR MOTOR

OUTPUT (kW)	TYPE	FORM	RATING	VOLTAGE (V)	FREQ. (Hz)	SPEED (min ⁻¹)	POLES	TH. CLASS	MASS (kg)
5.5	TFOG	KK	S1	380/415	50	300	4	F	73

MODEL NO.
GH38-550-5



PROJECTION



CUSTOMER			QTY.	ORDER No.	WORK No.	REV.
DWN.	D. ITTIDECH	15-Jul-2015	<div style="display: flex; justify-content: space-around; align-items: center;"> <div style="text-align: center;"> <h2 style="margin: 0;">DIMENSIONS</h2> <p style="margin: 0;">FRAME SIZE (GH) 5.5kW 1/5</p> </div> <div style="text-align: center;"> <p style="font-size: 8px; margin: 0;">Hitachi Industrial Technology (Thailand), Ltd.</p> </div> <div style="text-align: center;"> <p style="margin: 0;">HITT WORKS DWG. No.</p> <h2 style="margin: 0;">4HTD03144</h2> </div> </div>			SH.
CHKD.	M. KAMIZONO	S				
APPD.	M. KAMIZONO					