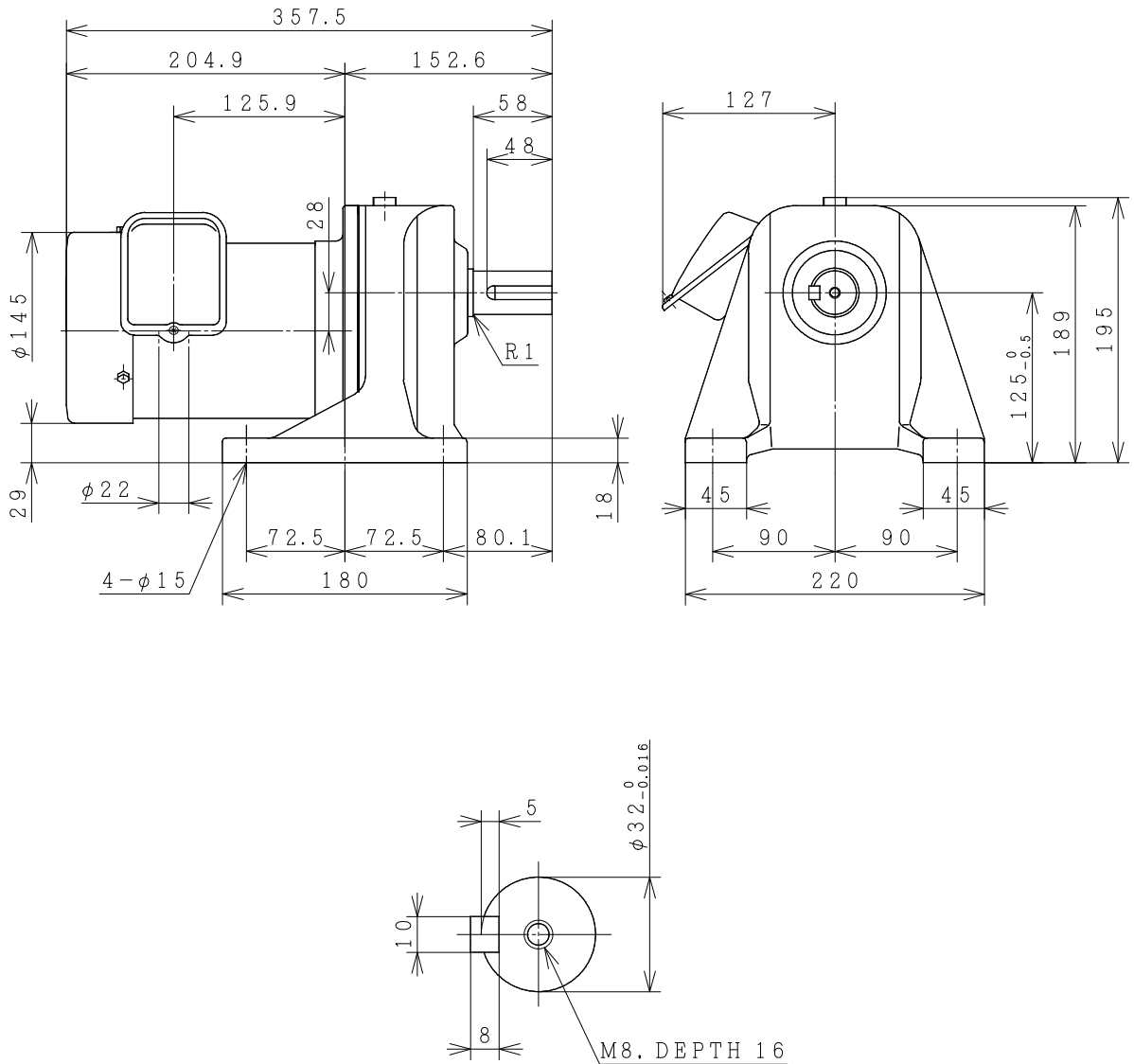


GEAR MOTOR

OUTPUT (kW)	TYPE	FORM	RATING	VOLTAGE (V)	FREQ. (Hz)	SPEED (min ⁻¹)	POLES	TH. CLASS	MASS (kg)
0.4	TFOG	K	S1	220/380	50	33	4	F	18

MODEL NO.
GH32-040-45



PROJECTION

CUSTOMER			QTY.	ORDER No.	WORK No.	REV.
DWN.	D. ITTIDECH	29-Jul-2015	<div style="display: flex; justify-content: space-around; align-items: center;"> <div style="font-size: 2em; font-weight: bold;">DIMENSIONS</div> <div style="text-align: center;"> <small>Hitachi Industrial Technology (Thailand), Ltd.</small> </div> <div style="font-size: 1.5em; font-weight: bold;">4HTD03165</div> </div>			SH.
CHKD.	M. KAMIZONO	S				HITT WORKS DWG. No.
APPD.	M. KAMIZONO					
FRAME SIZE (GH) 0.4 kW 1/45						