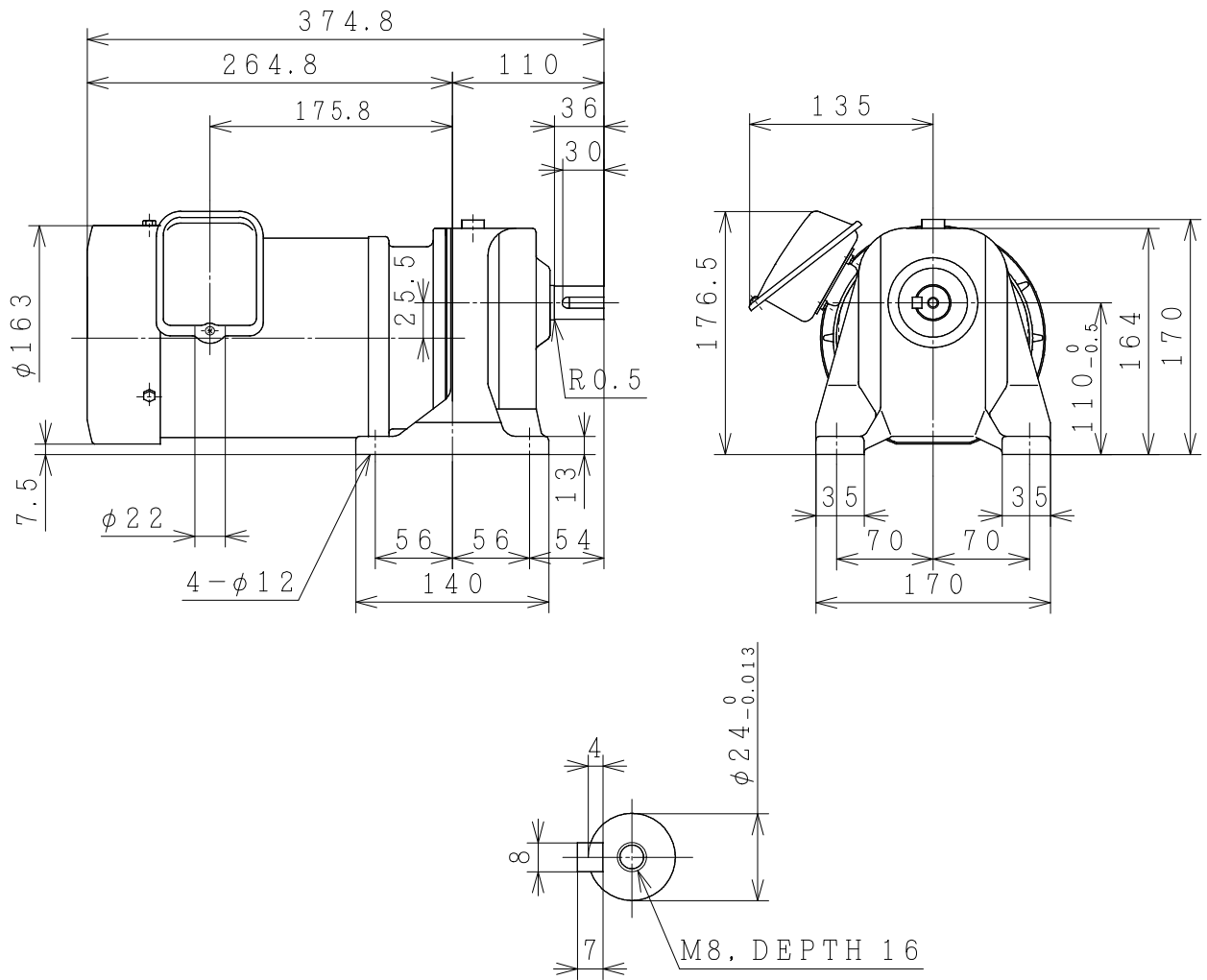
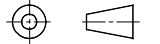


GEAR MOTOR

OUTPUT (HP)	MODEL SYMBOL	VOLTAGE (V)	FREQ. (Hz)	SPEED (min ⁻¹)	POLES	TH. CLASS	MASS (kg)
1	GH24-075-5	220/380	50	300	4	F	16
1	GH24-075-10	220/380	50	150	4	F	16
1	GH24-075-15	220/380	50	100	4	F	16



PROJECTION



CUSTOMER			QTY.	ORDER No.	WORK No.	REV.
DWN.	D. ITTIDECH	29-Jul-2015	<div style="display: flex; justify-content: space-around; align-items: center;"> <div style="font-size: 2em; font-weight: bold;">DIMENSIONS</div> <div style="text-align: center;"> <small>Hitachi Industrial Technology (Thailand), Ltd.</small> </div> <div style="font-size: 1.5em; font-weight: bold;">4HTD03162</div> </div>			SH.
CHKD.	M. KAMIZONO	S				HITT WORKS DWG. No.
APPD.	M. KAMIZONO					
FRAME SIZE (GH) 0.75kW 1/15, 1/10, 1/5						