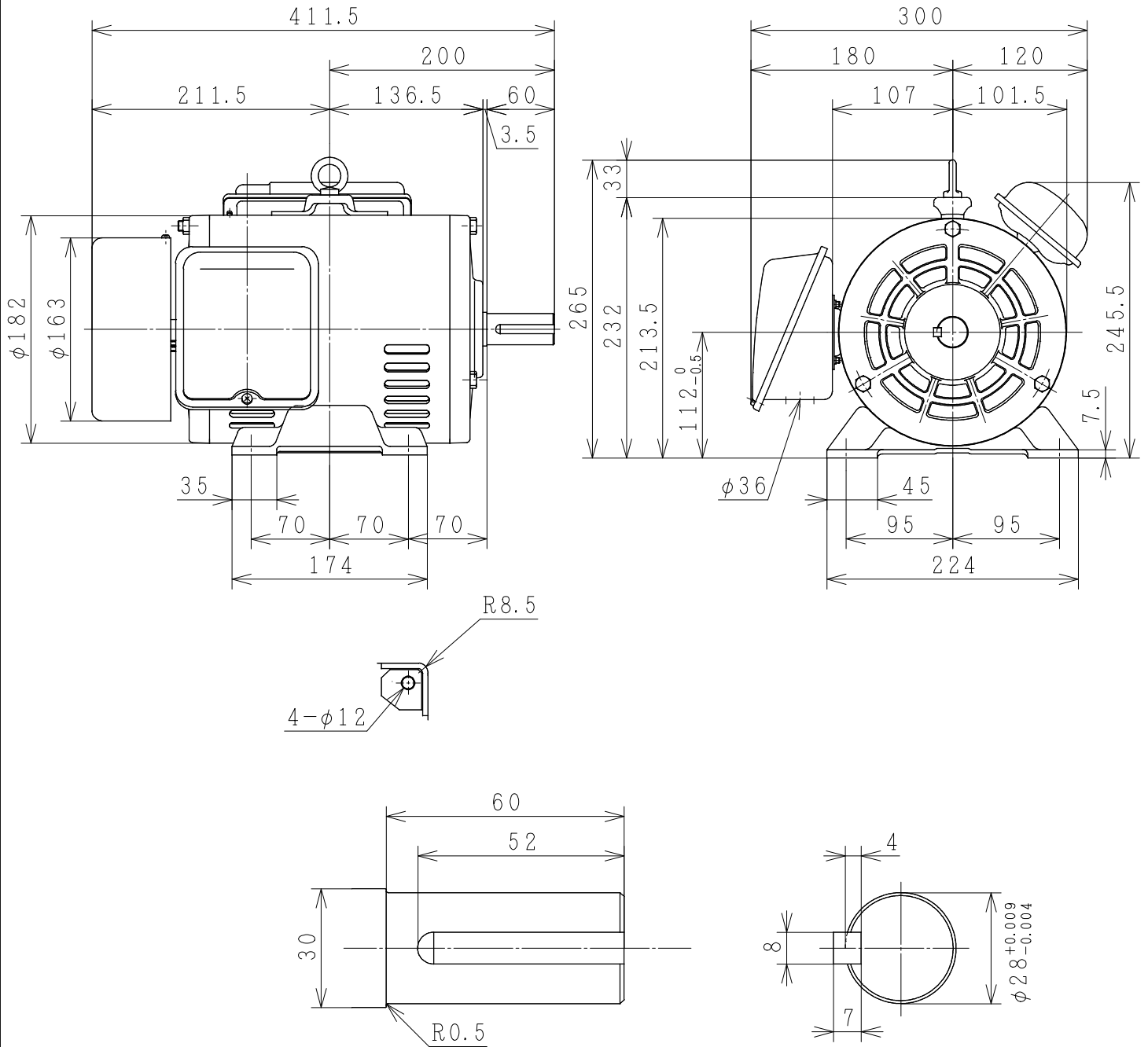
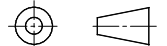


CAPACITOR START CAPACITOR RUN SINGLE PHASE INDUCTION MOTOR

OUTPUT	TYPE	FORM	RATING	VOLTAGE (V)	FREQ. (Hz)	SYNC. SPEED (min ⁻¹)	POLES	INS. CLASS	MASS (kg)
3HP	EFOUP	KQ	S1	220	50	1500	4	B	



PROJECTION



CUSTOMER

QTY.

ORDER No.

WORK No.

REV.

HITACHI

MANUFACTURER'S TEST REPORT OF INDUCTION MOTOR

MESSRS		ORDER No	
--------	--	----------	--

SPECIFICATION FOR MOTOR

OUT PUT(HP)	3	POLES	4	TYPE-FORM	EFOUP-KQ
FREQUENCY(HZ)	50	VOLTAGE(V)	220	CURRENT(A)	16.2
PHASES	1	RATING	S1	INSULATION	B
STANDARD	JEC-2137-2000	SECONDARY VOLTAGE(V)	—	SECONDARY CURRENT(A)	—
COOLING	—	PROTECTION	IP22	SPEED(min ⁻¹)	1460

MFG No	FREQUENCY (HZ)	NO-LOAD TEST			LOCKED ROTOR TEST		
		VOLTAGE(V)	CURRENT(A)	INPUT(W)	VOLTAGE(V)	CURRENT(A)	INPUT(W)
	50	220	10.16	392	—	—	—

(3) WINDINGS RESISTANCE (BETWEEN LINES) STATOR 75°C M.COIL 0.862 (Ω)
 A.COIL 5.762 (Ω)

(4) LOAD CHARACTERISTICS

LOAD(%)	CURRENT(A)	EFFICIENCY(%)	POWERFACTOR(%)	SLIP(%)
25	10.64	51.4	45.8	0.7
50	11.75	69.6	61.1	1.3
75	13.52	78.0	71.1	2.0
100	15.99	79.2	79.0	2.8
125	19.22	76.9	84.6	3.9

(5) MAXIMUM OUT PUT(%) STARTING CURRENT(A) STARTING TORQUE(%)
— 83.7 238

(6) TEMPERATURE RISE TEST (R): RESISTANCE METHOD

MAIN COIL WINDINGS(K)	AUX.COIL WINDINGS(K)	FRAME(K)
52.5 (R)	42.5	40.5

(7) INSULATION RESISTANCE BY 500V MEGGER 100MΩ

(8) WITHSTAND STATOR WINDINGS TO CORE 1500V 1MIN WITHSTOOD
 VOLTAGE TEST ROTOR WINDINGS TO CORE —V 1MIN WITHSTOOD

(9) CONSTRUCTION, DIMENSION, PAINTING, OTHER PARTS SATISFACTORY

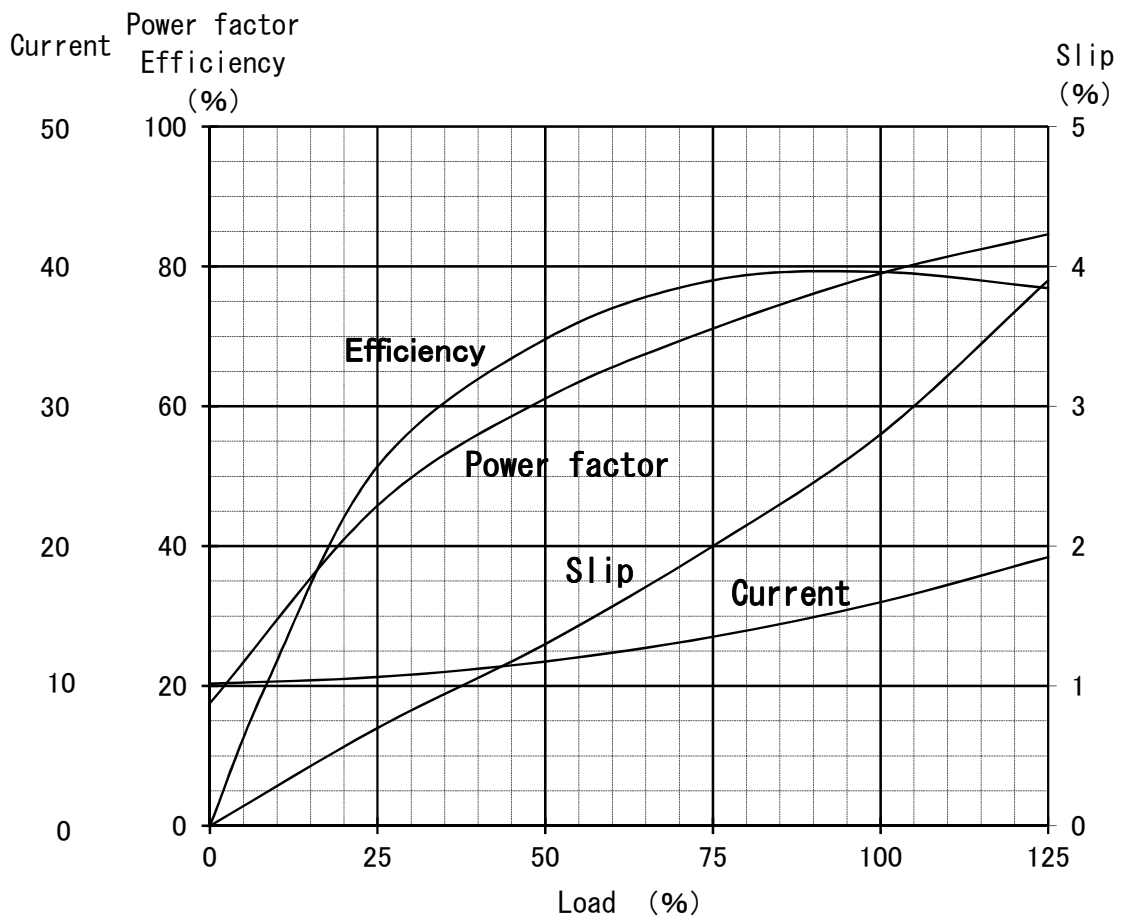
HITACHI INDUSTRIAL TECHNOLOGY (THAILAND) LTD.	CHECKED BY	M.KAMIZONO
	DATE	18-FEB-2015

Single Phase Induction Motor Characteristic Curve

Hitachi Industrial Technology(Thailand),Ltd

Power (HP) 3
 Pole 4
 Type-Form EFOUP-KQ
 Voltage (V) 220
 Frequency (Hz) 50

Load (%)	0	25	50	75	100	125
Current (A)	10.16	10.64	11.75	13.52	15.99	19.22
Efficiency (%)	0	51.4	69.6	78.0	79.2	76.9
Power factor (%)	17.5	45.8	61.1	71.1	79.0	84.6
Slip (%)	0	0.7	1.3	2.0	2.8	3.9



Speed-Torque, Current Curve

3HP EFOUP-KQ 4P
220V 50Hz

