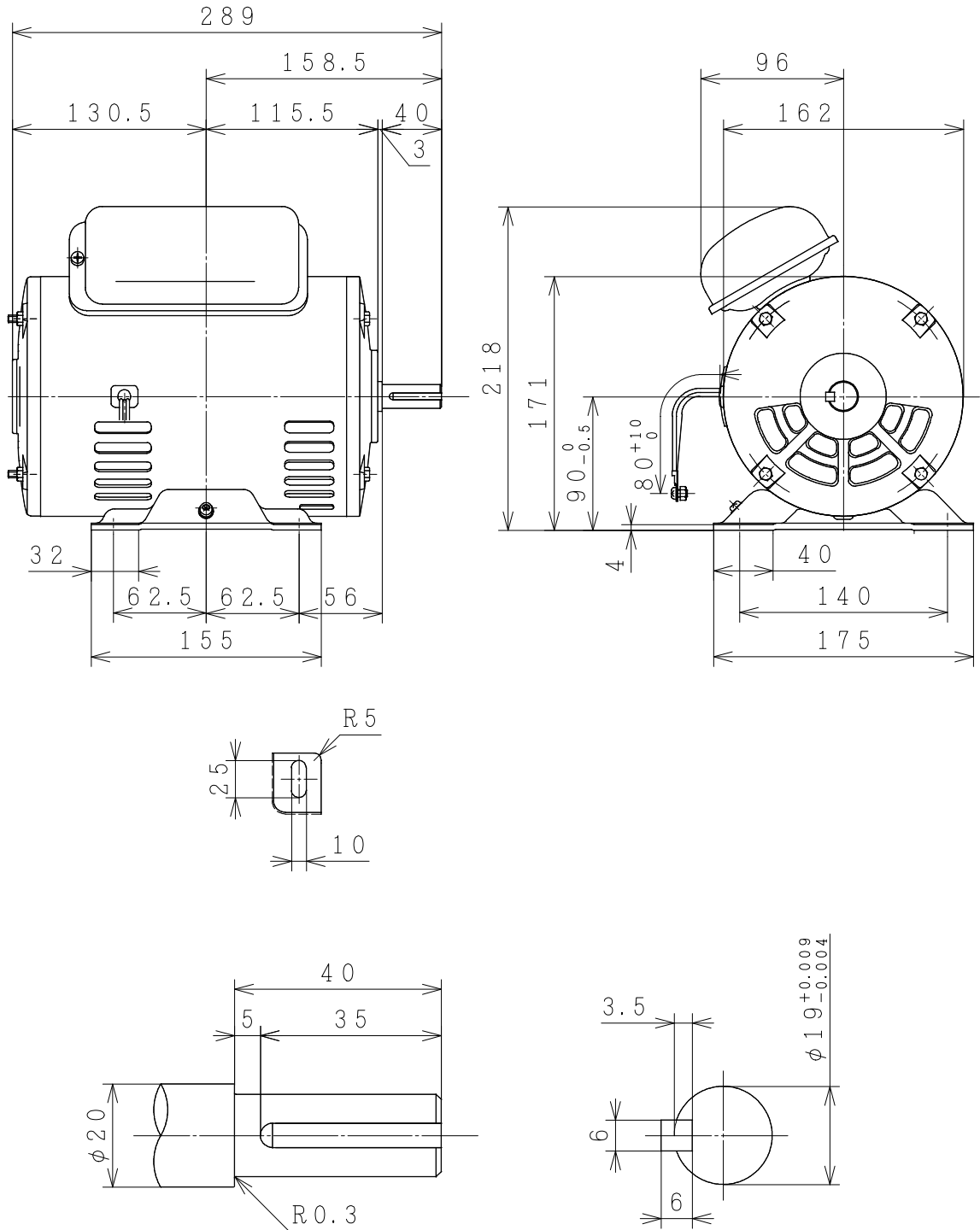


CAPACITOR START CAPACITOR RUN SINGLE PHASE INDUCTION MOTOR

OUTPUT	TYPE	FORM	RATING	VOLTAGE (V)	FREQ. (Hz)	SYNC. SPEED (min ⁻¹)	POLES	INS. CLASS	MASS (kg)
1.5HP	EFOUP	KQ	S1	220V	50	1500	4	E	



PROJECTION

CUSTOMER			QTY.	ORDER No.	WORK No.	REV.
DWN.	P. Tianchai	10-JUNE-2015	<div style="display: flex; justify-content: space-around; align-items: center;"> <div style="font-size: 2em; font-weight: bold;">DIMENSIONS</div> <div style="text-align: center;"> <small>Hitachi Industrial Technology (Thailand), Ltd.</small> </div> <div style="font-size: 1.5em; font-weight: bold;">4HTD02704</div> </div>			SH.
CHKD.	W. Thawat					HITT WORKS DWG. No.
APPD.	T. Shimozono					
FRAME SIZE			EFOUP-KQ (90)			

HITACHI

MANUFACTURER'S TEST REPORT OF INDUCTION MOTOR

MESSRS		ORDER No	
--------	--	----------	--

SPECIFICATION FOR MOTOR

OUT PUT(HP)	1.5	POLES	4	TYPE-FORM	EFOUP-KQ
FREQUENCY(Hz)	50	VOLTAGE(V)	220	CURRENT(A)	7.2
PHASES	1	RATING	S1	INSULATION	E
STANDARD	JEC-2137-2000	SECONDARY VOLTAGE(V)	—	SECONDARY CURRENT(A)	—
COOLING	—	PROTECTION	IP22	SPEED (min ⁻¹)	1430

MFG No	FREQUENCY (Hz)	NO-LOAD TEST			LOCKED ROTOR TEST		
		VOLTAGE(V)	CURRENT(A)	INPUT(W)	VOLTAGE(V)	CURRENT(A)	INPUT(W)
	50	220	3.36	260.0	-	-	-

(3) WINDINGS RESISTANCE (BETWEEN LINES) STATOR 75°C M.COIL 2.08600(Ω)
A.COIL 2.79600(Ω)

(4) LOAD CHARACTERISTICS

LOAD(%)	CURRENT(A)	EFFICIENCY(%)	POWERFACTOR(%)	SLIP(%)
25	3.81	49.7	67.2	1.17
50	4.59	67.5	82.1	2.30
75	6.03	71.3	88.9	3.61
100	7.68	71.3	92.9	5.22
125	9.52	70.0	95.6	7.21

(5) MAXIMUM OUTPUT(%) STARTING CURRENT(A) STARTING TORQUE(%)

----- 36.7 ----- 183 -----

(6) TEMPERATURE RISE TEST (R): RESISTANCE METHOD

STATOR WINDINGS(K)	AUX.COIL WINDINGS(K)	FRAME(K)
59.0 (R)	58.5	54.5

(7) INSULATION RESISTANCE BY 500V MEGGER 100MΩ

(8) WITHSTAND STATOR WINDINGS TO CORE 1500V 1MIN WITHSTOOD
VOLTAGE TEST ROTOR WINDINGS TO CORE —V 1MIN WITHSTOOD

(9) CONSTRUCTION, DIMENSION, PAINTING, OTHER PARTS SATISFACTORY

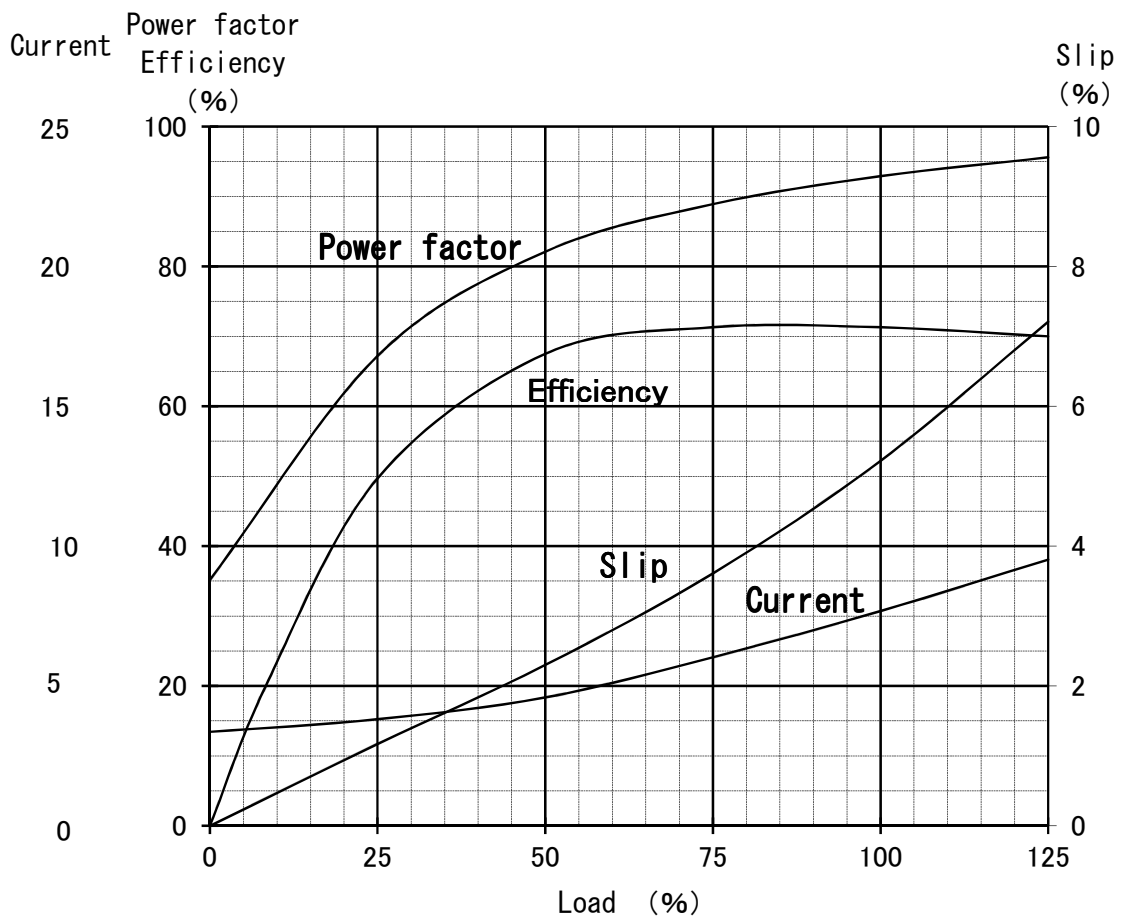
HITACHI INDUSTRIAL TECHNOLOGY (THAILAND) LTD.	CHECKED BY	M.KAMIZONO
	DATE	3-JUNE-2015

Single Phase Induction Motor Characteristic Curve

Hitachi Industrial Technology(Thailand),Ltd

Power (HP)	1.5
Pole	4
Type-Form	EFOUP-KQ
Voltage (V)	220
Frequency (Hz)	50

Load (%)	0	25	50	75	100	125
Current (A)	3.36	3.81	4.59	6.03	7.68	9.52
Efficiency (%)	0	49.7	67.5	71.3	71.3	70.0
Power factor (%)	35.2	67.2	82.1	88.9	92.9	95.6
Slip (%)	0	1.2	2.3	3.6	5.2	7.2



Speed-Torque, Current Curve

1.5HP EFOUP-KQ 4P
220V 50Hz

