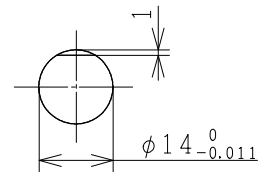
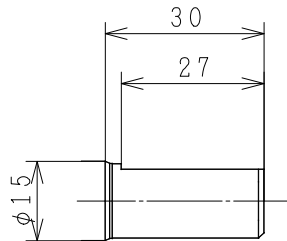
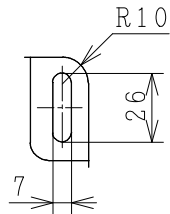
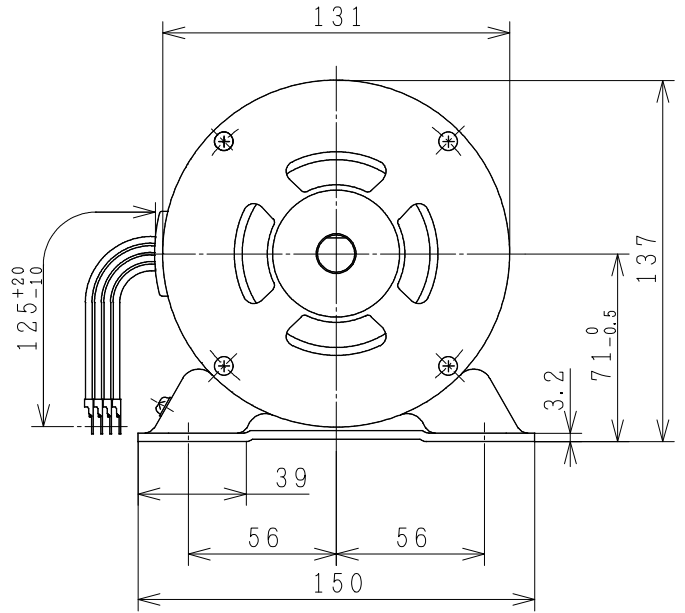
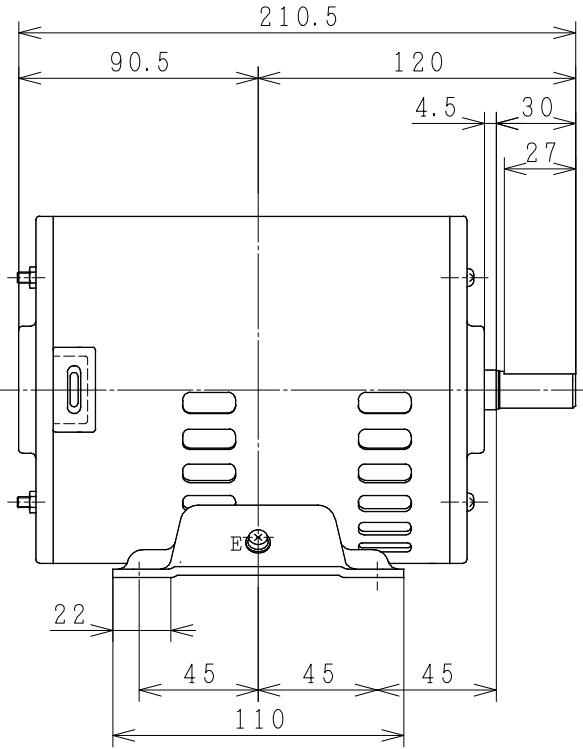
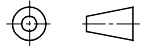


SPLIT PHASE START SINGLE PHASE INDUCTION MOTOR

OUTPUT	TYPE	FORM	RATING	VOLTAGE (V)	FREQ. (Hz)	SYNC. SPEED (min ⁻¹)	POLES	INS. CLASS	MASS (kg)
1/3HP	EFOU	KT	S1	220V	50	1500	4	E	



PROJECTION



CUSTOMER			QTY.	ORDER No.	WORK No.	REV.
DWN. P. Tianchai	09-JUNE-2015	DIMENSIONS	HITACHI <small>Hitachi Industrial Technology (Thailand), Ltd.</small>		HITT WORKS DWG. No.	SH.
CHKD. W. Thawat					4HTD03094	
APPD. T. Shimozono						
FRAME SIZE EFOU-KT (71)						

HITACHI

MANUFACTURER'S TEST REPORT OF INDUCTION MOTOR

MESSRS		ORDER No	
--------	--	----------	--

SPECIFICATION FOR MOTOR

OUT PUT(HP)	1/3	POLES	4	TYPE-FORM	EFOU-KT
FREQUENCY(Hz)	50	VOLTAGE(V)	220	CURRENT(A)	3.2
PHASES	1	RATING	S1	INSULATION	E
STANDARD	JEC-2137-2000	SECONDARY VOLTAGE(V)	—	SECONDARY CURRENT(A)	—
COOLING	—	PROTECTION	IP22	SPEED (min ⁻¹)	1430

MFG No	FREQUENCY (Hz)	NO-LOAD TEST			LOCKED ROTOR TEST		
		VOLTAGE(V)	CURRENT(A)	INPUT(W)	VOLTAGE(V)	CURRENT(A)	INPUT(W)
	50	220	2.67	129.0	-	-	-

(3) WINDINGS RESISTANCE (BETWEEN LINES) STATOR 75°C M.COIL 7.39691(Ω)
A.COIL 11.54301(Ω)

(4) LOAD CHARACTERISTICS

LOAD(%)	CURRENT(A)	EFFICIENCY(%)	POWERFACTOR(%)	SLIP(%)
25	2.66	33.5	31.9	1.1
50	2.72	48.6	42.9	2.3
75	2.85	55.7	53.6	3.5
100	3.07	58.6	63.2	4.8
125	3.41	58.6	71.0	6.6
150	3.94	56.0	77.2	9.1

(5) MAXIMUM OUTPUT(%) STARTING CURRENT(A) STARTING TORQUE(%)

----- 23.6 ----- 214 -----

(6) TEMPERATURE RISE TEST (R): RESISTANCE METHOD

STATOR WINDINGS(K)	AUX.COIL WINDINGS(K)	FRAME(K)
69.0 (R)	60.0	58.0

(7) INSULATION RESISTANCE BY 500V MEGGER 100MΩ

(8) WITHSTAND STATOR WINDINGS TO CORE 1500V 1MIN WITHSTOOD
VOLTAGE TEST ROTOR WINDINGS TO CORE —V 1MIN WITHSTOOD

(9) CONSTRUCTION, DIMENSION, PAINTING, OTHER PARTS SATISFACTORY

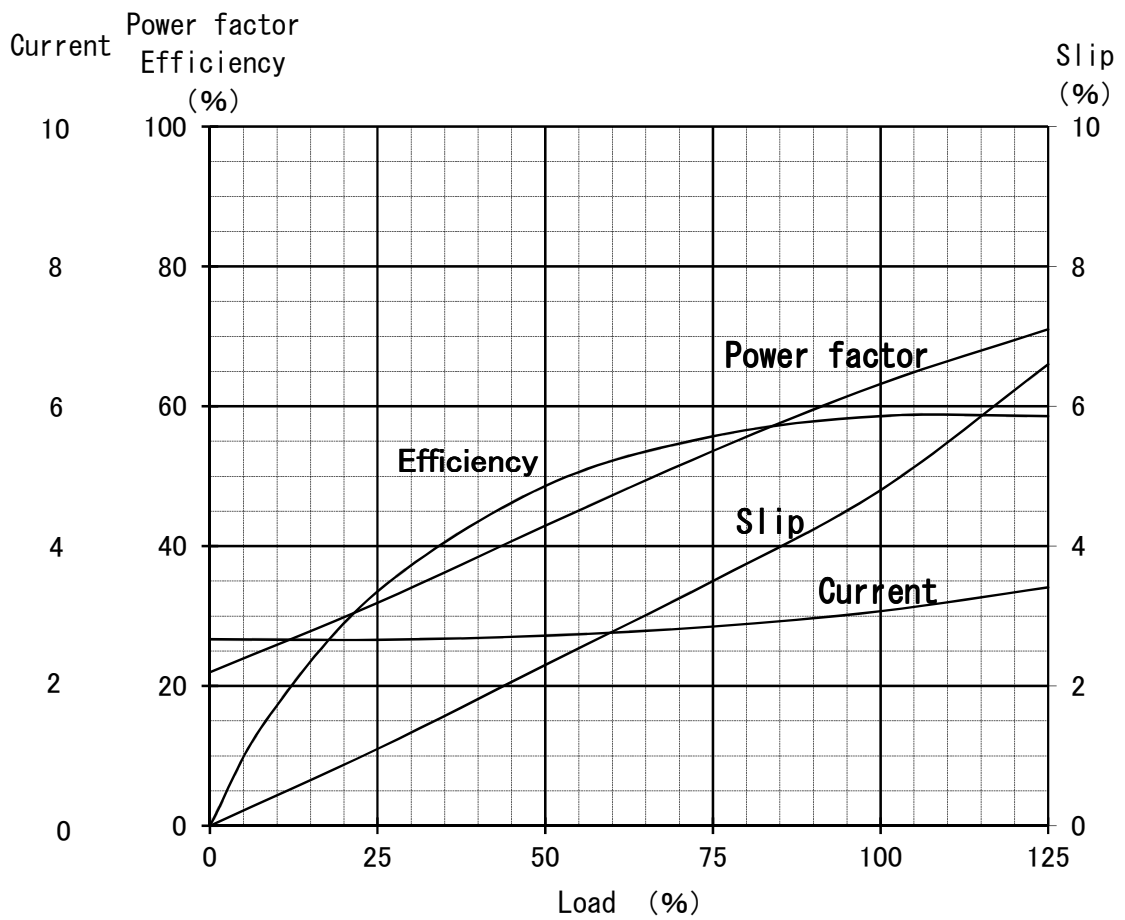
HITACHI INDUSTRIAL TECHNOLOGY (THAILAND) LTD.	CHECKED BY	M.KAMIZONO
	DATE	29-MAY-2012

Single Phase Induction Motor Characteristic Curve

Hitachi Industrial Technology(Thailand),Ltd

Power (HP)	1/3
Pole	4
Type-Form	EFOU-KT
Voltage (V)	220
Frequency (Hz)	50

Load (%)	0	25	50	75	100	125
Current (A)	2.67	2.66	2.72	2.85	3.07	3.41
Efficiency (%)	0	33.5	48.6	55.7	58.6	58.6
Power factor (%)	22.0	31.9	42.9	53.6	63.2	71.0
Slip (%)	0	1.1	2.3	3.5	4.8	6.6



Speed-Torque, Current Curve

1/3HP EFOU-KT 4P
220V 50Hz

