

# Universal Holder for Electrode Technical Data

## How to Select Universal Holders

### (1) Selecting the Holder Body

Select the holder body according to the electrode size and weight to be used, as well as XY centering function or lack thereof, etc.



#### Holder Features

##### <Standard Type>

- ELHS** Standard model in a compact package.
- ELHA** Aluminum used for the body. Lightweight model easy to use even for female operators.
- ELSS** Slim, yet capable of handling large electrodes as well.

##### <With XY Centering Function Type>

- A-ELHS** All the features of ELHS, plus XY centering function. Allows even greater freedom.
- A-ELSS** Superior model handling large electrodes as well.

### (2) Selection of Chucking System

In accordance with the chucking system you currently use, select either **R** type or **E** type.

#### Chucking System

##### R Type

Compatible with GF Machining Solutions systems (standard specifications are compatible with 3R-Macro Standard).

##### E Type

Compatible with EROWA systems.

### (3) Selection of Electrode Clamp

In accordance with the electrode shape, select either **V** type or **B** type (the type with XY centering function is collet chuck type only).

#### Electrode Clamp

##### V Type

Clamp shape suitable for holding either square or round bar electrode types.

##### B Type

Clamp shape mainly suitable for holding flat electrode types.

Manual Tools

Electric Tools

Pneumatic Tools

Cutting Products

Grinding/Polishing Products

Welding Products

Measurement Tools/Measurement Devices

Machine Tools

Electrical Discharge Machine Products

Chemicals

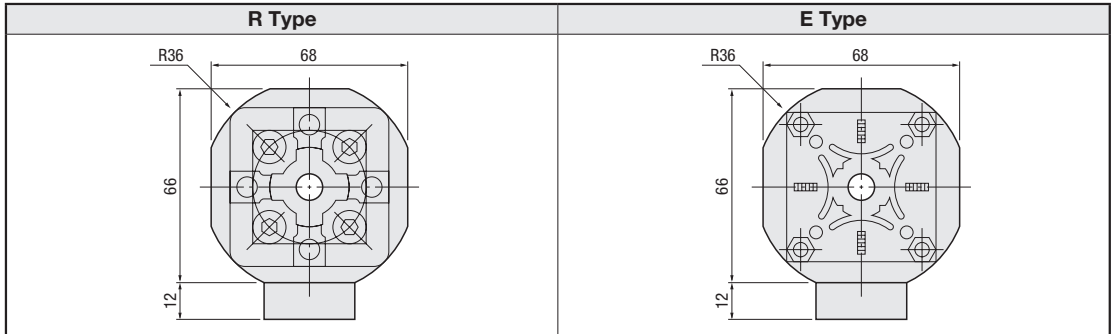
Adhesives

Filler

Antistatic Products

## Detailed Specifications of Chucking System Connection

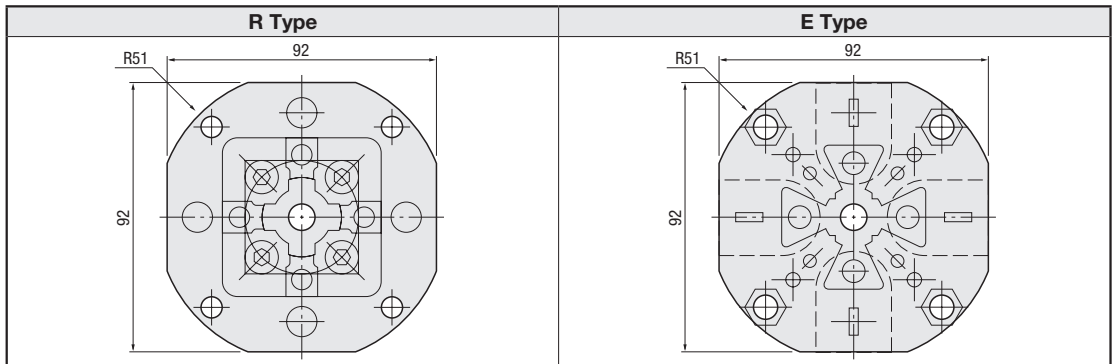
### ELHS/ELHA/A-ELHS



GF Machining Solutions 3R-651.7-S equipped

EROWA ER-009214 equipped

### ELSS/A-ELSS



GF Machining Solutions 3R-651.7-S equipped

EROWA ER-011599 equipped