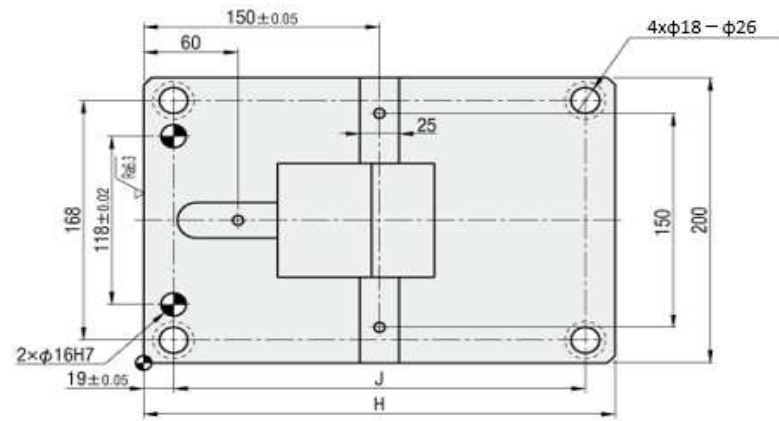
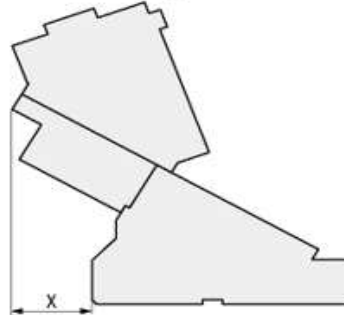


# CAMriSE Series Cam for Pierce/Trim/Wide Flange - Long Stroke - CB-L200

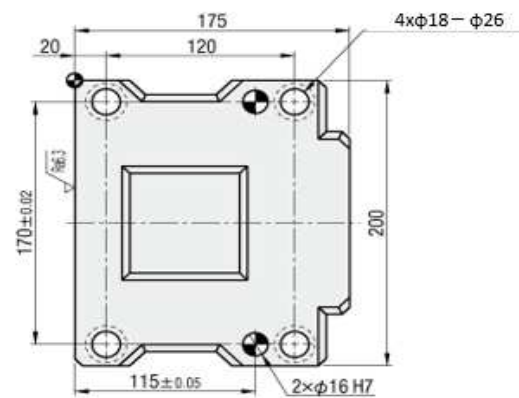
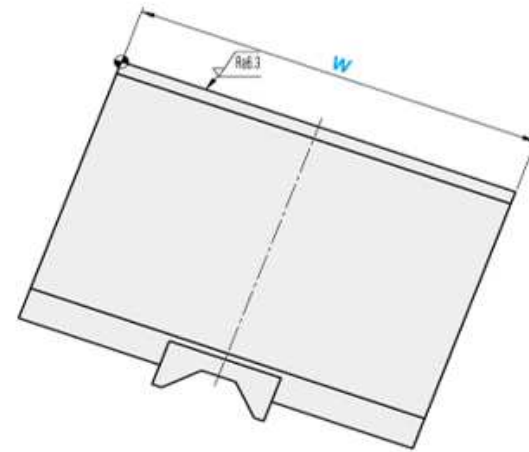
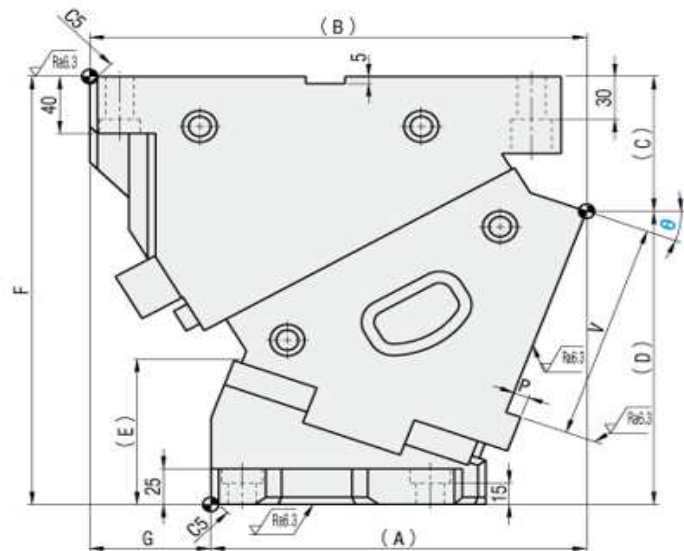
## Outline drawing/Product specifications



■ Rear Extraction Space



⚠ When installing in the mold, ensure sufficient rear extraction space.



W	θ	(A)	(B)	(C)	(D)	(E)	F	G	H	J	V	P	X (ISO/GK)		
200	00	175.00	291.00	67.00	233.00	61.0	300	116	270	232	150	10	45.5		
	05	191.87	299.87	75.71	224.29	67.8		108	280	242			55.3		
	10	208.34	307.34	82.22	217.78	77.9		99	290	252			63.8		
	15	224.43	312.43	88.49	211.51	89.4		88	295	257			71.8		
	20	239.16	316.16	94.48	205.52	102.0		77	300	262			84.2		
	25	251.55	317.55	100.18	199.82	115.8		66	305	267			96.5		
	30	266.63	318.63	108.55	191.45	127.5		52	310	272			106.0		
	35	281.43	315.43	117.57	182.43	139.0		34					120.0		
	40	295.99	309.99	128.21	171.79	149.4		14					132.0		
	45	307.33	303.33	147.45	152.55	151.7		-4					144.0		
	50	318.50	295.50	157.27	142.73	163.5		-23					153.0		
	55	334.25	292.25	161.13	138.87	169.5		-42					160	162.0	
	60	340.45	286.45	161.36	138.64	172.5		-54						18	159.0
	65	356.31	287.31	165.70	134.30	177.0		-69						27	154.0
70	375.62	287.62	176.95	123.05	175.8	-88	35								

Stroke S	Working Force kN (tonf)		Coil Spring		Gas Spring		Total weight Kg	Cam slider weight Kg	Tool mounting weight Kg	Model	W	θ	
	Standard (1 Million times)	Max. (300,000 times)	Initial load N (kgf)	Final load N (kgf)	Model	Final load N (kgf)							Model
35.4	164.6 (16.8)	230.5 (23.5)	873 (89.0)	6872 (701.2)	TJH50X229	13914 (1420)	GSV1000-63	37.2	24.8	CB-L	200	00	
39.0												24.9	05
42.8												25.3	10
46.6												26.5	15
50.7												26.8	20
55.0												28.1	25
59.7												29.7	30
64.9												31.6	35
70.7												34.1	40
77.5												37.2	45
85.6												36.3	50
95.9												36.8	55
110.0												37.6	60
118.3												37.7	65
119.9	40.6	70											

Alteration	Code	Spec.
	K	Addition of positioning key (1 Hexagon socket head bolt M8x15 included) 
	GK	Spring type change Coil Spring / Gas Spring
	NGK	Without gas spring
	NF	No gas spring filled with nitrogen gas ⚠ Applicable to only spring type GK