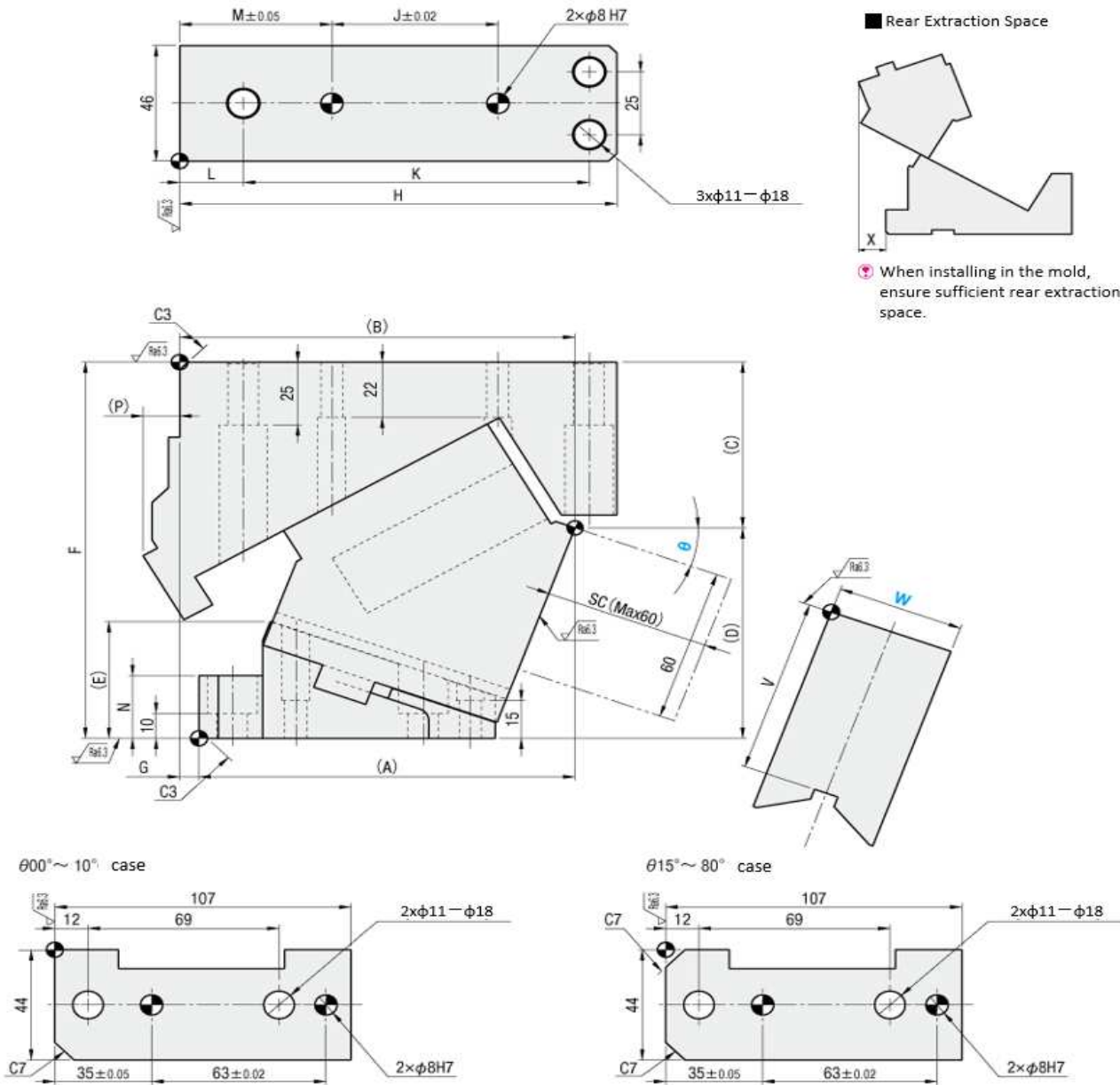


CAMRISE Series Compact Cam for Piercing - Long Stroke - CA-L46

Outline drawing/Product specifications



W	θ	(A)	(B)	(C)	(D)	(E)	F	G	H	J	K	L	M	N	(P)	V	X (ISO)	
46	00	112.00	138.00	53.00	97.00	24.2	150	26	153	60	130	13	45	12	10.4	68.5	28.6	
	05	118.89	140.89	56.44	93.56	29.0		22	157			17	49	15	11.8		34.0	
	10	124.66	142.66	59.77	90.23	34.4		18	160			20	52	20	12.2		38.2	
	15	130.31	143.31	62.99	87.01	40.7		13	157		22	54	25	13.0	46.6			
	20	135.87	142.87	66.09	83.91	46.3		7	158		23	55	25	14.4	55.3			
	25	142.34	142.34	69.06	80.94	53.0		0	158		23	58	25	14.5	62.5			
	30	147.72	140.72	71.89	78.11	60.6		-7	165		23	68	30	5.3	70.1			
	35	151.04	147.04	74.58	75.42	67.9		-4	165		23	68	30	5.3	68.1			
	40	156.31	145.31	78.12	71.88	74.6		-11	160		55	120	30	71	30		3.0	71.7
	45	160.54	137.54	81.51	68.49	82.1		-23	160		55	120	30	71	30		6.5	80.6
50	163.73	133.73	88.74	61.26	84.9	-30	160	55	120	30	71	30	4.0	83.9				

Stroke S	Working Force kN (tonf)			Coil Spring		Model	Total weight Kg	Cam slider weight Kg	Tool mounting weight Kg	Model	W	θ			
	Standard (1Million times)	Conditional (1Million times)	Max. (300,000 times)	Initial load N (kgf)	Final load N (kgf)										
28.9	14.7 (1.5)	22.1 (2.2)	29.4 (3.0)	108 (11.0)	1140 (116)	TJM25X139	5.6	2.0	2.0	CA-L	46	00			
30.5				154 (15.7)								05			
31.1				222 (22.7)								10			
32.2				118 (12.1)	1075 (110)							TJM25X127	5.5	2.1	15
34.1				144 (14.6)											20
36.0				169 (17.2)											25
38.0				194 (19.8)											30
40.1				219 (22.4)											35
42.4				244 (24.9)											40
46.5				269 (27.5)											45
49.8	269 (27.5)	50													

Alteration	Code	Spec.
	SC	Forward movement of mount surface 1 ≤ SC ≤ 60 increment 1 mm