
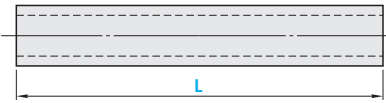


# URETHANES FOR HEAVY LOAD

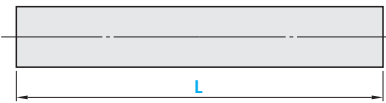
# URETHANES WITH COUNTERBORE



**LA**



**C**



D	D <sub>T</sub>	d <sub>T</sub>
8		
10		
15		
20	±0.2	
25		
30		
40		
50	±0.3	±0.2
60		
80	±0.4	
100		

Product guide P.1501 Shore A90


d	Catalog No.		Catalog No.		Base unit price 1 ~ 19 pieces
	Type	D—L	Type	D—L	
—	—	—	C	8—200	<b>Quotation</b>
—	—	—	C	10—200	
7	LA	15—200	C	15—200	
8.5	LA	20—200	C	20—200	
11	LA	25—200	C	25—200	
14	LA	30—500	C	30—500	
	LA	40—500	C	40—500	
	LA	50—500	C	50—500	
22	LA	60—500	C	60—500	
	LA	80—500	C	80—500	
	LA	100—500	C	100—500	

**Order** Catalog No.  
LA 60—500

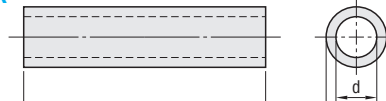
**Days to Ship** **Quotation**

**Price** **Quotation**

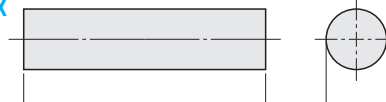
**Configurable full length type**



**AX**



**CX**



D	D <sub>T</sub>	d <sub>T</sub>	L <sub>T</sub>
8			
10			
15			
20	±0.2		±0.3
25			
30			
40			
50	±0.3	±0.2	
60			±0.5
80	±0.4		
100			


Product guide P.1501 Shore A90

d	Catalog No.	D	L 1mm increments	Base unit price 1 ~ 19 pieces							
				L10~20	L21~40	L41~60	L61~80	L81~100	L101~150	L151~200	
—	CX	8	10 ~ 200								
—		10									
7		15									
8.5	20										
11	25										
14	AX	30									
	CX	40									
		50									
22		60									
		80									
		100									

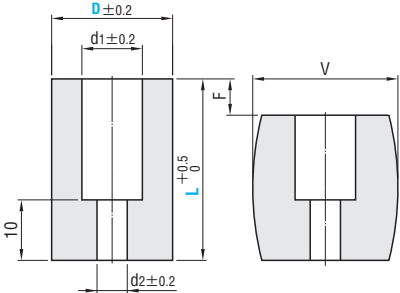
**Order** Catalog No.  
AX    D — L  
20 — 45

**Days to Ship** **Quotation**

**Price** **Quotation**



**AZ** (Standard type)



Product guide P.1501 Shore A90


F=L×10%		F=L×15%		F=L×20%		D	d <sub>1</sub>	d <sub>2</sub>	M	L	Catalog No. Type D—L	Base unit price 1 ~ 19 pieces
F mm	Load N (kgf)	F mm	Load N (kgf)	F mm	Load N (kgf)							
2.5		3.7		5.0		20	11	7	M6	25	AZ 20—25	
3.0	883	4.5	1079	6.0	1275	24				30	30	
3.5	(90)	5.2	(110)	7.0	(130)					35	35	
4.0		6.0		8.0						40	40	
2.5		3.7		5.0		25	11	7	M6	25	AZ 25—25	
3.0	1177	4.5	1569	6.0	1765	29	25	11	7	30	30	
3.5	(120)	5.2	(160)	7.0	(180)					35	35	
4.0		6.0		8.0						40	40	
3.0		4.5		6.0		30	30	14	9	30	AZ 30—30	
3.5	2550	5.2	3040	7.0	3530	35				35	35	
4.0	(260)	6.0	(310)	8.0	(360)					40	40	
3.0		4.5		6.0		40	40	18	11	30	AZ 40—30	
3.5	4119	5.2	5099	7.0	5884	46				35	35	
4.0	(420)	6.0	(520)	8.0	(600)					40	40	

●Load [kgf] = Load [N] × 0.101972

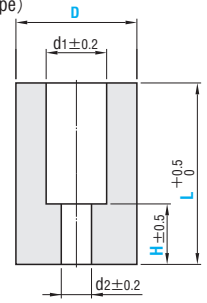
**Order** Catalog No.  
AZ 20—30

**Days to Ship** **Quotation**

**Price** **Quotation**



**AZX** (Configurable full length type)



D	D <sub>T</sub>
25	±0.2
30	
40	
50	±0.3
60	
80	±0.4
100	

Product guide P.1501 Shore A90

Catalog No. Type	D	L 1mm increments	M	H 1mm increments	M	d <sub>1</sub>	d <sub>2</sub>
AZX	25	20 ~ 80	M 6	5 ≤ H < L	M 6	11	7
	30		M 8		M 8	14	9
	40						
	50	25 ~ 150	M 10		M 10	18	11
	60		M 12		M 12	20	14
	80						
100	25 ~ 200	M 12	M 16	M 16	26	18	

**Order** Catalog No. — L — M — H  
AZX 25 — 42 — M6 — 15

**Days to Ship** **Quotation**

**Price** **Quotation**