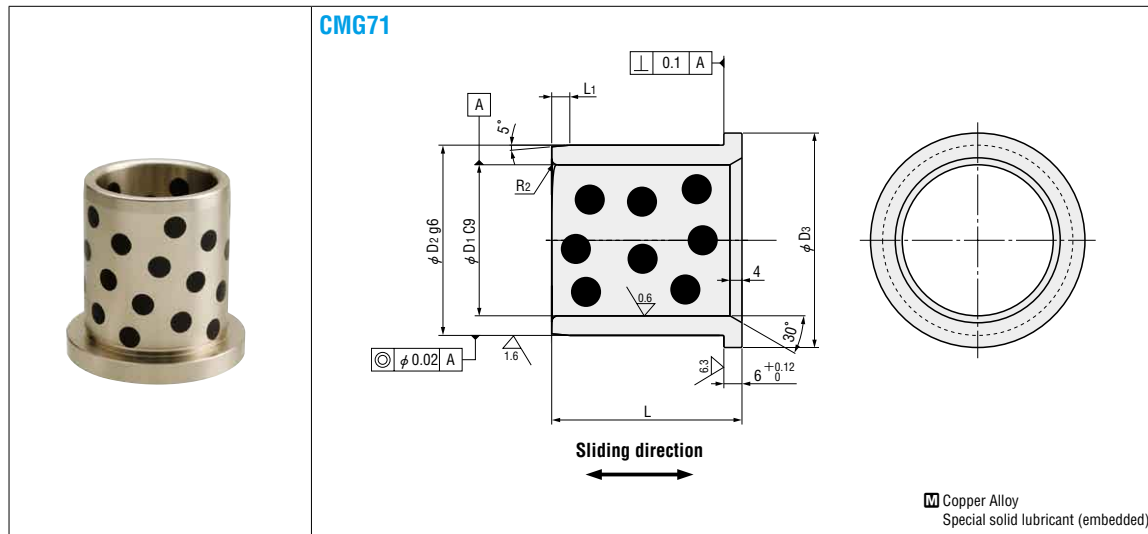




OIL-FREE GUIDE BUSHINGS



CLAMPS FOR GUIDE BUSHINGS



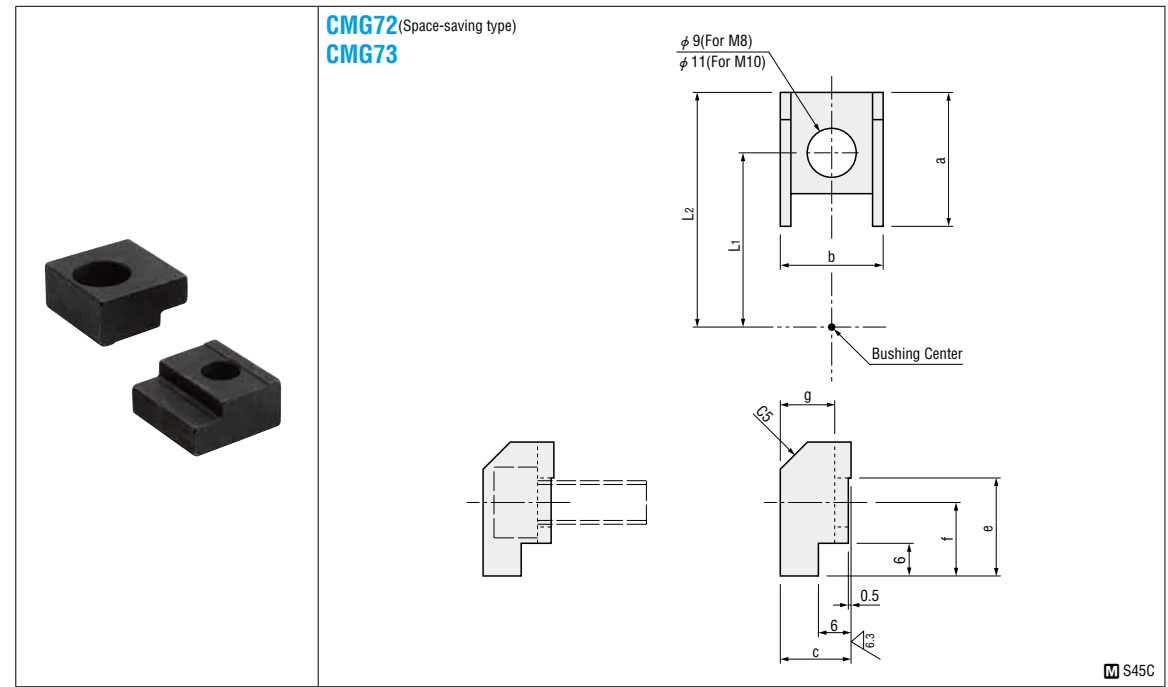
■ Copper Alloy
Special solid lubricant (embedded)

D1	D2	D3	L	L1	NAAMS Code	Catalog No.	
						Type	Code
25	32	40	40	4	G712540	CMG71	2540
32	40	50	50	4	G713250		3250
40	50	63	55	5	G714055		4055
50	63	71	63	6	G715063		5063
63	80	90	75	8	G716375		6375
80	100	112	90	10	G718090		8090
100	125	140	115	12	G711011		1011
125	160	180	138	12	G711213	1213	

Order

Days to Ship

Price



Nom. Post Dia.	L1	L2	a	b	c	e	f	g	Fitting bolt	NAAMS Code	Catalog No.	
											Type	Code
32	34	45.1	24.6	18.9	13	18	13.5	10	CB8—20	G720000	CMG72	0000
40	40.5	51.6										
50	44.5	55.6										
63	54	65.1										
80	65	76.1										
100	79	90.1	27.9	23.5	15.5	20.5	15	12.5	CB10—20	G730000	CMG73	0000
115	86.5	97.6										
32	35.5	48.4										
40	42	54.9										
50	46	58.9										
63	55.5	68.4										
80	66.5	79.4										
100	80.5	93.4										
115	88	100.9										
125	100.5	113.4										

Order

Days to Ship

Price

NAAMS